

To,
The Director ,
Ministry of environment & forests and climate change ,
Regional office,(WCZ),
Ground Floor,East Wing,
New Secretarial Building ,
Civil Lines,Nagpur -440001

Date: 25.04.2024

Subject : Regarding the Half-Yearly compliance report for the period of October 2023 to March 2024

Reference : Environmental clearance letter no.IA/MH/IND2/188082/2020 Dated 15TH December 2020 granted by EAC ,Govt.Of Maharashtra

Dear Sir,

With reference to the above mentioned subject ,We are enclosing herewith the EC condition compliance report for the period of October 2023 to March 2024 with respect to the above mentioned Reference of environment Clearance for proposed expansion of industrial project at plot E-59/1 MIDC Tarapur, Dist -Palghar. SEAC-I considered the project under screening category B2 of item 5(f) synthetic IC , EIA Notification 2006.

The compliance report is supported with required documents.

Thanking You

for Aarti Pharmalabs Ltd
(Formerly Known as Aarti Industries LTD)



Authorized signatory

CC:

- 1.The regional officer,
Central pollution control Board ,
Parivesh Bhawan ,Atmajyoti Ashram Rd,
Opp.VMC Ward Office No.10,Shubhanpura ,
Vadodara,Gujarat 390023.
- 2.The Sub Regional office.
Maharashtra pollution control Board ,
Tarapur ,MIDC.
- 3.The Regional office.
Maharashtra pollution control Board ,
Thane.

Asli
29/4/24
SUB REGIONAL OFFICE
M. P. C. BOARD
M.I.D.C. COLONY COMPOUND
TARAPUR 401 504.
TAL & DIST.- PALGHAR

AARTI PHARMALABS LIMITED

www.aartipharmalabs.com | CIN : U24100GJ2019PLC110964 | Email : info@aartipharmalabs.com

Factory : Unit - IV, Plot No. E - 59/1, M.I.D.C., Tarapur, Taluka & District - Palghar, PIN 401 506, Maharashtra, INDIA, T : +91 89830 35452 / +91 252 568 2100

Admin Office : 204, Udyog Kshetra, 2nd Floor, Mulund - Goregaon Link Road, Mulund (W), Mumbai, PIN - 400 080, Maharashtra, INDIA, T : +91 22 67976666 | F : +91 22 25653234

Regd. Office : Plot No. 22-C/1 & 22-C/2, 1st Phase, G.I.D.C., Vapi 396 195, District - Valsad, Gujarat, INDIA T : +91 260 2400467, +91 99099 94655

AARTI PAHARMALABS LIMITED
PLOT NO.E-59/1 MIDC TARAPUR BOISAR

Sr. No.	EC condition details	Compliance Status																								
2	The Ministry of Environment, Forest and Climate Change has examined the proposal for environmental clearance to the project for Setting up of Active Pharmaceutical Ingredient (API's), Bulk Drugs manufacturing facility of capacity 210 TPM by M/s Aarti Industries Limited located at Plot no E-59-1, MIDC Tarapur, Maharashtra.	We have for part consent to operate for 125 TPA against 210 TPA approved in EC																								
3	The project/activities are covered under Category "B2"; of item 5 (f) Synthetic, Organic Chemicals Industry of the schedule to the Environment Impact Assessment (EIA) Notification, 2006 (amendments on 27.03.2020). Due to applicability of general condition (located within 5 km of CPA), the project requires appraisal at central level by the sectoral Expert Appraisal Committee (EAC) in the Ministry. Public hearing is exempted since the proposed project falls under category B2 and the site is located in industrial area. It was informed that no litigation is pending against the proposal.	Noted & Agreed																								
4	<table border="1" data-bbox="124 857 639 1283"> <thead> <tr> <th colspan="3">PRODUCT LIST AS PER EC:</th> </tr> <tr> <th>S. No</th> <th>Product</th> <th>Quantity</th> </tr> </thead> <tbody> <tr> <td>1</td> <td>Injection (API formulation activity with Chemical Storage & Packing activity)</td> <td>5000000 Nos./Month</td> </tr> <tr> <td>2</td> <td>Ofloxacin (Size reduction by grinding, packing & dispatch activity)</td> <td>300 MT/Month</td> </tr> </tbody> </table>	PRODUCT LIST AS PER EC:			S. No	Product	Quantity	1	Injection (API formulation activity with Chemical Storage & Packing activity)	5000000 Nos./Month	2	Ofloxacin (Size reduction by grinding, packing & dispatch activity)	300 MT/Month	<table border="1" data-bbox="810 857 1378 1261"> <thead> <tr> <th colspan="3">PRODUCT LIST AS PER PART EC CONSENT APPLICATION:</th> </tr> <tr> <th>S. No</th> <th>Product</th> <th>Quantity</th> </tr> </thead> <tbody> <tr> <td>1</td> <td>Injection (API formulation activity with Chemical Storage & Packing activity)</td> <td>0</td> </tr> <tr> <td>2</td> <td>Ofloxacin (Size reduction by grinding, packing & dispatch activity)</td> <td>0</td> </tr> </tbody> </table>	PRODUCT LIST AS PER PART EC CONSENT APPLICATION:			S. No	Product	Quantity	1	Injection (API formulation activity with Chemical Storage & Packing activity)	0	2	Ofloxacin (Size reduction by grinding, packing & dispatch activity)	0
PRODUCT LIST AS PER EC:																										
S. No	Product	Quantity																								
1	Injection (API formulation activity with Chemical Storage & Packing activity)	5000000 Nos./Month																								
2	Ofloxacin (Size reduction by grinding, packing & dispatch activity)	300 MT/Month																								
PRODUCT LIST AS PER PART EC CONSENT APPLICATION:																										
S. No	Product	Quantity																								
1	Injection (API formulation activity with Chemical Storage & Packing activity)	0																								
2	Ofloxacin (Size reduction by grinding, packing & dispatch activity)	0																								

AARTI PAHARMALABS LIMITED
PLOT NO.E-59/1 MIDC TARAPUR BOISAR

PRODUCT LIST AS PER EC:

Sr. No.	Quantity in Group (TPM)	Product	Quantity (TPM)	Average Production (MT/M)	Remark														
1	2	Ramipril	2	<table border="1"> <thead> <tr> <th>Month</th> <th>Production MT</th> </tr> </thead> <tbody> <tr> <td>Oct.-23</td> <td>0.0</td> </tr> <tr> <td>Nov.-23</td> <td>0.0</td> </tr> <tr> <td>Dec.-23</td> <td>1.913</td> </tr> <tr> <td>Jan.-24</td> <td>1.0</td> </tr> <tr> <td>Feb-24</td> <td>1.0</td> </tr> <tr> <td>Mar.-24</td> <td>1.547</td> </tr> </tbody> </table>	Month	Production MT	Oct.-23	0.0	Nov.-23	0.0	Dec.-23	1.913	Jan.-24	1.0	Feb-24	1.0	Mar.-24	1.547	
Month	Production MT																		
Oct.-23	0.0																		
Nov.-23	0.0																		
Dec.-23	1.913																		
Jan.-24	1.0																		
Feb-24	1.0																		
Mar.-24	1.547																		
2	25	Ranolazine	25	<table border="1"> <thead> <tr> <th>Month</th> <th>Production MT</th> </tr> </thead> <tbody> <tr> <td>Oct.-23</td> <td>7.00</td> </tr> <tr> <td>Nov.-23</td> <td>10.513</td> </tr> <tr> <td>Dec.-23</td> <td>0.00</td> </tr> <tr> <td>Jan.-24</td> <td>5.00</td> </tr> <tr> <td>Feb-24</td> <td>4.641</td> </tr> <tr> <td>Mar.-24</td> <td>3.016</td> </tr> </tbody> </table>	Month	Production MT	Oct.-23	7.00	Nov.-23	10.513	Dec.-23	0.00	Jan.-24	5.00	Feb-24	4.641	Mar.-24	3.016	
Month	Production MT																		
Oct.-23	7.00																		
Nov.-23	10.513																		
Dec.-23	0.00																		
Jan.-24	5.00																		
Feb-24	4.641																		
Mar.-24	3.016																		
3	2	Formoterol Fumarate Dihydrate	2	<table border="1"> <thead> <tr> <th>Month</th> <th>Production MT</th> </tr> </thead> <tbody> <tr> <td>Oct.-23</td> <td>0.0</td> </tr> <tr> <td>Nov.-23</td> <td>0.0</td> </tr> <tr> <td>Dec.-23</td> <td>0.0</td> </tr> <tr> <td>Jan.-24</td> <td>0.0</td> </tr> <tr> <td>Feb-24</td> <td>0.0</td> </tr> <tr> <td>Mar.-24</td> <td>0.0</td> </tr> </tbody> </table>	Month	Production MT	Oct.-23	0.0	Nov.-23	0.0	Dec.-23	0.0	Jan.-24	0.0	Feb-24	0.0	Mar.-24	0.0	
Month	Production MT																		
Oct.-23	0.0																		
Nov.-23	0.0																		
Dec.-23	0.0																		
Jan.-24	0.0																		
Feb-24	0.0																		
Mar.-24	0.0																		
4	35	Venlafaxine Hydrochloride	35	<table border="1"> <thead> <tr> <th>Month</th> <th>Production MT</th> </tr> </thead> <tbody> <tr> <td>Oct.-23</td> <td>4.357</td> </tr> <tr> <td>Nov.-23</td> <td>5.411</td> </tr> <tr> <td>Dec.-23</td> <td>0.885</td> </tr> <tr> <td>Jan.-24</td> <td>0.00</td> </tr> <tr> <td>Feb-24</td> <td>8.089</td> </tr> <tr> <td>Mar.-24</td> <td>2.922</td> </tr> </tbody> </table>	Month	Production MT	Oct.-23	4.357	Nov.-23	5.411	Dec.-23	0.885	Jan.-24	0.00	Feb-24	8.089	Mar.-24	2.922	
Month	Production MT																		
Oct.-23	4.357																		
Nov.-23	5.411																		
Dec.-23	0.885																		
Jan.-24	0.00																		
Feb-24	8.089																		
Mar.-24	2.922																		

AARTI PAHARMALABS LIMITED
PLOT NO.E-59/1 MIDC TARAPUR BOISAR

5	2	Olopatadine Hydrochloride	2	Month	Production MT
				Oct.-23	0.0
				Nov.-23	0.0
				Dec.-23	0.0
				Jan.-24	0.0
				Feb-24	0.0
Mar.-24	0.0				
6	10	Phenylephrine Hydrochloride	10	Month	Production MT
				Oct.-23	0.0
				Nov.-23	0.761
				Dec.-23	0.0
				Jan.-24	0.988
				Feb-24	0.0
Mar.-24	0.0				
7	2	Loteprednol Etabonate	2	Month	Production MT
				Oct.-23	0.0
				Nov.-23	0.0
				Dec.-23	0.0
				Jan.-24	0.0
				Feb-24	0.0
Mar.-24	0.0				
8	2	Capecitabine	2	Month	Production MT
				Oct.-23	0.0
				Nov.-23	0.0
				Dec.-23	0.0
				Jan.-24	0.0
				Feb-24	0.0
Mar.-24	0.0				
9	5	Tofacitinib	5	Month	Production MT
				Oct.-23	0.0
				Nov.-23	0.0
				Dec.-23	0.0
				Jan.-24	0.0
				Feb-24	0.0
Mar.-24	0.0				
10	5	Cinacalcet hydrochloride	5	Month	Production MT
				Oct.-23	0.0
				Nov.-23	0.0
				Dec.-23	0.0
				Jan.-24	0.0
				Feb-24	0.0
Mar.-24	0.0				

AARTI PAHARMALABS LIMITED
PLOT NO.E-59/1 MIDC TARAPUR BOISAR

11	5	Montelukast Sodium	5	<table border="1"> <thead> <tr> <th>Month</th> <th>Production MT</th> </tr> </thead> <tbody> <tr> <td>Oct.-23</td> <td>0.0</td> </tr> <tr> <td>Nov.-23</td> <td>0.0</td> </tr> <tr> <td>Dec.-23</td> <td>0.0</td> </tr> <tr> <td>Jan.-24</td> <td>0.0</td> </tr> <tr> <td>Feb-24</td> <td>0.0</td> </tr> <tr> <td>Mar.-24</td> <td>0.0</td> </tr> </tbody> </table>	Month	Production MT	Oct.-23	0.0	Nov.-23	0.0	Dec.-23	0.0	Jan.-24	0.0	Feb-24	0.0	Mar.-24	0.0
				Month	Production MT													
				Oct.-23	0.0													
				Nov.-23	0.0													
				Dec.-23	0.0													
Jan.-24	0.0																	
Feb-24	0.0																	
Mar.-24	0.0																	
12	10	Apixaban	2.5	<table border="1"> <thead> <tr> <th>Month</th> <th>Production MT</th> </tr> </thead> <tbody> <tr> <td>Oct.-23</td> <td>0.0</td> </tr> <tr> <td>Nov.-23</td> <td>0.0</td> </tr> <tr> <td>Dec.-23</td> <td>0.0</td> </tr> <tr> <td>Jan.-24</td> <td>0.0</td> </tr> <tr> <td>Feb-24</td> <td>0.0</td> </tr> <tr> <td>Mar.-24</td> <td>0.0</td> </tr> </tbody> </table>	Month	Production MT	Oct.-23	0.0	Nov.-23	0.0	Dec.-23	0.0	Jan.-24	0.0	Feb-24	0.0	Mar.-24	0.0
				Month	Production MT													
				Oct.-23	0.0													
				Nov.-23	0.0													
				Dec.-23	0.0													
Jan.-24	0.0																	
Feb-24	0.0																	
Mar.-24	0.0																	
		Betrixaban	2.5	<table border="1"> <thead> <tr> <th>Month</th> <th>Production MT</th> </tr> </thead> <tbody> <tr> <td>Oct.-23</td> <td>0.0</td> </tr> <tr> <td>Nov.-23</td> <td>0.0</td> </tr> <tr> <td>Dec.-23</td> <td>0.0</td> </tr> <tr> <td>Jan.-24</td> <td>0.0</td> </tr> <tr> <td>Feb-24</td> <td>0.0</td> </tr> <tr> <td>Mar.-24</td> <td>0.0</td> </tr> </tbody> </table>	Month	Production MT	Oct.-23	0.0	Nov.-23	0.0	Dec.-23	0.0	Jan.-24	0.0	Feb-24	0.0	Mar.-24	0.0
				Month	Production MT													
				Oct.-23	0.0													
				Nov.-23	0.0													
				Dec.-23	0.0													
Jan.-24	0.0																	
Feb-24	0.0																	
Mar.-24	0.0																	
		Rivaroxaban	2.5	<table border="1"> <thead> <tr> <th>Month</th> <th>Production MT</th> </tr> </thead> <tbody> <tr> <td>Oct.-23</td> <td>0.0</td> </tr> <tr> <td>Nov.-23</td> <td>0.0</td> </tr> <tr> <td>Dec.-23</td> <td>0.0</td> </tr> <tr> <td>Jan.-24</td> <td>0.0</td> </tr> <tr> <td>Feb-24</td> <td>0.0</td> </tr> <tr> <td>Mar.-24</td> <td>0.0</td> </tr> </tbody> </table>	Month	Production MT	Oct.-23	0.0	Nov.-23	0.0	Dec.-23	0.0	Jan.-24	0.0	Feb-24	0.0	Mar.-24	0.0
				Month	Production MT													
				Oct.-23	0.0													
				Nov.-23	0.0													
				Dec.-23	0.0													
Jan.-24	0.0																	
Feb-24	0.0																	
Mar.-24	0.0																	
		Edoxaban Tosylate Edoxaban Tosylate mono-hydrate	2.5	<table border="1"> <thead> <tr> <th>Month</th> <th>Production MT</th> </tr> </thead> <tbody> <tr> <td>Oct.-23</td> <td>0.0</td> </tr> <tr> <td>Nov.-23</td> <td>0.0</td> </tr> <tr> <td>Dec.-23</td> <td>0.0</td> </tr> <tr> <td>Jan.-24</td> <td>0.0</td> </tr> <tr> <td>Feb-24</td> <td>0.0</td> </tr> <tr> <td>Mar.-24</td> <td>0.0</td> </tr> </tbody> </table>	Month	Production MT	Oct.-23	0.0	Nov.-23	0.0	Dec.-23	0.0	Jan.-24	0.0	Feb-24	0.0	Mar.-24	0.0
				Month	Production MT													
				Oct.-23	0.0													
				Nov.-23	0.0													
				Dec.-23	0.0													
Jan.-24	0.0																	
Feb-24	0.0																	
Mar.-24	0.0																	

AARTI PAHARMALABS LIMITED
PLOT NO.E-59/1 MIDC TARAPUR BOISAR

13	20	QuetiapineFuma rate	20	<table border="1"> <thead> <tr> <th>Month</th> <th>Production MT</th> </tr> </thead> <tbody> <tr> <td>Oct.-23</td> <td>0.0</td> </tr> <tr> <td>Nov.-23</td> <td>0.0</td> </tr> <tr> <td>Dec.-23</td> <td>0.0</td> </tr> <tr> <td>Jan.-24</td> <td>0.0</td> </tr> <tr> <td>Feb-24</td> <td>0.0</td> </tr> <tr> <td>Mar.-24</td> <td>0.0</td> </tr> </tbody> </table>	Month	Production MT	Oct.-23	0.0	Nov.-23	0.0	Dec.-23	0.0	Jan.-24	0.0	Feb-24	0.0	Mar.-24	0.0
				Month	Production MT													
				Oct.-23	0.0													
				Nov.-23	0.0													
				Dec.-23	0.0													
Jan.-24	0.0																	
Feb-24	0.0																	
Mar.-24	0.0																	
14	25	Aminophyline	25	<table border="1"> <thead> <tr> <th>Month</th> <th>Production MT</th> </tr> </thead> <tbody> <tr> <td>Oct.-23</td> <td>0.0</td> </tr> <tr> <td>Nov.-23</td> <td>0.0</td> </tr> <tr> <td>Dec.-23</td> <td>0.0</td> </tr> <tr> <td>Jan.-24</td> <td>0.0</td> </tr> <tr> <td>Feb-24</td> <td>0.0</td> </tr> <tr> <td>Mar.-24</td> <td>0.0</td> </tr> </tbody> </table>	Month	Production MT	Oct.-23	0.0	Nov.-23	0.0	Dec.-23	0.0	Jan.-24	0.0	Feb-24	0.0	Mar.-24	0.0
				Month	Production MT													
				Oct.-23	0.0													
				Nov.-23	0.0													
				Dec.-23	0.0													
Jan.-24	0.0																	
Feb-24	0.0																	
Mar.-24	0.0																	
15	10	Umeclidinium	5	<table border="1"> <thead> <tr> <th>Month</th> <th>Production MT</th> </tr> </thead> <tbody> <tr> <td>Oct.-23</td> <td>0.0</td> </tr> <tr> <td>Nov.-23</td> <td>0.0</td> </tr> <tr> <td>Dec.-23</td> <td>0.0</td> </tr> <tr> <td>Jan.-24</td> <td>0.0</td> </tr> <tr> <td>Feb-24</td> <td>0.0</td> </tr> <tr> <td>Mar.-24</td> <td>0.0</td> </tr> </tbody> </table>	Month	Production MT	Oct.-23	0.0	Nov.-23	0.0	Dec.-23	0.0	Jan.-24	0.0	Feb-24	0.0	Mar.-24	0.0
				Month	Production MT													
				Oct.-23	0.0													
				Nov.-23	0.0													
				Dec.-23	0.0													
Jan.-24	0.0																	
Feb-24	0.0																	
Mar.-24	0.0																	
		Vilanterol	5	<table border="1"> <thead> <tr> <th>Month</th> <th>Production MT</th> </tr> </thead> <tbody> <tr> <td>Oct.-23</td> <td>0.0</td> </tr> <tr> <td>Nov.-23</td> <td>0.0</td> </tr> <tr> <td>Dec.-23</td> <td>0.0</td> </tr> <tr> <td>Jan.-24</td> <td>0.0</td> </tr> <tr> <td>Feb-24</td> <td>0.0</td> </tr> <tr> <td>Mar.-24</td> <td>0.0</td> </tr> </tbody> </table>	Month	Production MT	Oct.-23	0.0	Nov.-23	0.0	Dec.-23	0.0	Jan.-24	0.0	Feb-24	0.0	Mar.-24	0.0
				Month	Production MT													
				Oct.-23	0.0													
				Nov.-23	0.0													
				Dec.-23	0.0													
Jan.-24	0.0																	
Feb-24	0.0																	
Mar.-24	0.0																	
16	20	Ifosfamide	1.5	<table border="1"> <thead> <tr> <th>Month</th> <th>Production MT</th> </tr> </thead> <tbody> <tr> <td>Oct.-23</td> <td>0.0</td> </tr> <tr> <td>Nov.-23</td> <td>0.0</td> </tr> <tr> <td>Dec.-23</td> <td>0.0</td> </tr> <tr> <td>Jan.-24</td> <td>0.0</td> </tr> <tr> <td>Feb-24</td> <td>0.0</td> </tr> <tr> <td>Mar.-24</td> <td>0.0</td> </tr> </tbody> </table>	Month	Production MT	Oct.-23	0.0	Nov.-23	0.0	Dec.-23	0.0	Jan.-24	0.0	Feb-24	0.0	Mar.-24	0.0
				Month	Production MT													
				Oct.-23	0.0													
				Nov.-23	0.0													
				Dec.-23	0.0													
Jan.-24	0.0																	
Feb-24	0.0																	
Mar.-24	0.0																	

AARTI PAHARMALABS LIMITED
PLOT NO.E-59/1 MIDC TARAPUR BOISAR

		Cyclophosphamide	1.5	<table border="1"> <thead> <tr> <th>Month</th> <th>Production MT</th> </tr> </thead> <tbody> <tr><td>Oct.-23</td><td>0.0</td></tr> <tr><td>Nov.-23</td><td>0.0</td></tr> <tr><td>Dec.-23</td><td>0.0</td></tr> <tr><td>Jan.-24</td><td>0.0</td></tr> <tr><td>Feb-24</td><td>0.0</td></tr> <tr><td>Mar.-24</td><td>0.0</td></tr> </tbody> </table>	Month	Production MT	Oct.-23	0.0	Nov.-23	0.0	Dec.-23	0.0	Jan.-24	0.0	Feb-24	0.0	Mar.-24	0.0	
Month	Production MT																		
Oct.-23	0.0																		
Nov.-23	0.0																		
Dec.-23	0.0																		
Jan.-24	0.0																		
Feb-24	0.0																		
Mar.-24	0.0																		
		Mercaptopurine	1.5	<table border="1"> <thead> <tr> <th>Month</th> <th>Production MT</th> </tr> </thead> <tbody> <tr><td>Oct.-23</td><td>0.0</td></tr> <tr><td>Nov.-23</td><td>0.0</td></tr> <tr><td>Dec.-23</td><td>0.0</td></tr> <tr><td>Jan.-24</td><td>0.0</td></tr> <tr><td>Feb-24</td><td>0.0</td></tr> <tr><td>Mar.-24</td><td>0.0</td></tr> </tbody> </table>	Month	Production MT	Oct.-23	0.0	Nov.-23	0.0	Dec.-23	0.0	Jan.-24	0.0	Feb-24	0.0	Mar.-24	0.0	
Month	Production MT																		
Oct.-23	0.0																		
Nov.-23	0.0																		
Dec.-23	0.0																		
Jan.-24	0.0																		
Feb-24	0.0																		
Mar.-24	0.0																		
		Abemaciclib	1.5	<table border="1"> <thead> <tr> <th>Month</th> <th>Production MT</th> </tr> </thead> <tbody> <tr><td>Oct.-23</td><td>0.0</td></tr> <tr><td>Nov.-23</td><td>0.0</td></tr> <tr><td>Dec.-23</td><td>0.0</td></tr> <tr><td>Jan.-24</td><td>0.0</td></tr> <tr><td>Feb-24</td><td>0.0</td></tr> <tr><td>Mar.-24</td><td>0.0</td></tr> </tbody> </table>	Month	Production MT	Oct.-23	0.0	Nov.-23	0.0	Dec.-23	0.0	Jan.-24	0.0	Feb-24	0.0	Mar.-24	0.0	
Month	Production MT																		
Oct.-23	0.0																		
Nov.-23	0.0																		
Dec.-23	0.0																		
Jan.-24	0.0																		
Feb-24	0.0																		
Mar.-24	0.0																		
		Acalabrutinib	1.5	<table border="1"> <thead> <tr> <th>Month</th> <th>Production MT</th> </tr> </thead> <tbody> <tr><td>Oct.-23</td><td>0.0</td></tr> <tr><td>Nov.-23</td><td>0.0</td></tr> <tr><td>Dec.-23</td><td>0.0</td></tr> <tr><td>Jan.-24</td><td>0.0</td></tr> <tr><td>Feb-24</td><td>0.0</td></tr> <tr><td>Mar.-24</td><td>0.0</td></tr> </tbody> </table>	Month	Production MT	Oct.-23	0.0	Nov.-23	0.0	Dec.-23	0.0	Jan.-24	0.0	Feb-24	0.0	Mar.-24	0.0	
Month	Production MT																		
Oct.-23	0.0																		
Nov.-23	0.0																		
Dec.-23	0.0																		
Jan.-24	0.0																		
Feb-24	0.0																		
Mar.-24	0.0																		
		Apalutamide	2	<table border="1"> <thead> <tr> <th>Month</th> <th>Production MT</th> </tr> </thead> <tbody> <tr><td>Oct.-23</td><td>0.0</td></tr> <tr><td>Nov.-23</td><td>0.0</td></tr> <tr><td>Dec.-23</td><td>0.0</td></tr> <tr><td>Jan.-24</td><td>0.0</td></tr> <tr><td>Feb-24</td><td>0.0</td></tr> <tr><td>Mar.-24</td><td>0.0</td></tr> </tbody> </table>	Month	Production MT	Oct.-23	0.0	Nov.-23	0.0	Dec.-23	0.0	Jan.-24	0.0	Feb-24	0.0	Mar.-24	0.0	
Month	Production MT																		
Oct.-23	0.0																		
Nov.-23	0.0																		
Dec.-23	0.0																		
Jan.-24	0.0																		
Feb-24	0.0																		
Mar.-24	0.0																		

AARTI PAHARMALABS LIMITED
PLOT NO.E-59/1 MIDC TARAPUR BOISAR

		ibrutinib	1.5	<table border="1"> <thead> <tr> <th>Month</th> <th>Production MT</th> </tr> </thead> <tbody> <tr> <td>Oct.-23</td> <td>0.0</td> </tr> <tr> <td>Nov.-23</td> <td>0.0</td> </tr> <tr> <td>Dec.-23</td> <td>0.0</td> </tr> <tr> <td>Jan.-24</td> <td>0.0</td> </tr> <tr> <td>Feb-24</td> <td>0.0</td> </tr> <tr> <td>Mar.-24</td> <td>0.0</td> </tr> </tbody> </table>	Month	Production MT	Oct.-23	0.0	Nov.-23	0.0	Dec.-23	0.0	Jan.-24	0.0	Feb-24	0.0	Mar.-24	0.0	
Month	Production MT																		
Oct.-23	0.0																		
Nov.-23	0.0																		
Dec.-23	0.0																		
Jan.-24	0.0																		
Feb-24	0.0																		
Mar.-24	0.0																		
		Nilotinib Hydrochloride anhydrous,Nilotinib Hydrochloride monohydrate	1.5	<table border="1"> <thead> <tr> <th>Month</th> <th>Production MT</th> </tr> </thead> <tbody> <tr> <td>Oct.-23</td> <td>0.0</td> </tr> <tr> <td>Nov.-23</td> <td>0.0</td> </tr> <tr> <td>Dec.-23</td> <td>0.0</td> </tr> <tr> <td>Jan.-24</td> <td>0.0</td> </tr> <tr> <td>Feb-24</td> <td>0.0</td> </tr> <tr> <td>Mar.-24</td> <td>0.0</td> </tr> </tbody> </table>	Month	Production MT	Oct.-23	0.0	Nov.-23	0.0	Dec.-23	0.0	Jan.-24	0.0	Feb-24	0.0	Mar.-24	0.0	
Month	Production MT																		
Oct.-23	0.0																		
Nov.-23	0.0																		
Dec.-23	0.0																		
Jan.-24	0.0																		
Feb-24	0.0																		
Mar.-24	0.0																		
		Niraparib Hydrochloride	1.5	<table border="1"> <thead> <tr> <th>Month</th> <th>Production MT</th> </tr> </thead> <tbody> <tr> <td>Oct.-23</td> <td>0.0</td> </tr> <tr> <td>Nov.-23</td> <td>0.0</td> </tr> <tr> <td>Dec.-23</td> <td>0.0</td> </tr> <tr> <td>Jan.-24</td> <td>0.0</td> </tr> <tr> <td>Feb-24</td> <td>0.0</td> </tr> <tr> <td>Mar.-24</td> <td>0.0</td> </tr> </tbody> </table>	Month	Production MT	Oct.-23	0.0	Nov.-23	0.0	Dec.-23	0.0	Jan.-24	0.0	Feb-24	0.0	Mar.-24	0.0	
Month	Production MT																		
Oct.-23	0.0																		
Nov.-23	0.0																		
Dec.-23	0.0																		
Jan.-24	0.0																		
Feb-24	0.0																		
Mar.-24	0.0																		
		Nintedanib Esylate	1.5	<table border="1"> <thead> <tr> <th>Month</th> <th>Production MT</th> </tr> </thead> <tbody> <tr> <td>Oct.-23</td> <td>0.0</td> </tr> <tr> <td>Nov.-23</td> <td>0.0</td> </tr> <tr> <td>Dec.-23</td> <td>0.0</td> </tr> <tr> <td>Jan.-24</td> <td>0.0</td> </tr> <tr> <td>Feb-24</td> <td>0.0</td> </tr> <tr> <td>Mar.-24</td> <td>0.0</td> </tr> </tbody> </table>	Month	Production MT	Oct.-23	0.0	Nov.-23	0.0	Dec.-23	0.0	Jan.-24	0.0	Feb-24	0.0	Mar.-24	0.0	
Month	Production MT																		
Oct.-23	0.0																		
Nov.-23	0.0																		
Dec.-23	0.0																		
Jan.-24	0.0																		
Feb-24	0.0																		
Mar.-24	0.0																		

AARTI PAHARMALABS LIMITED
PLOT NO.E-59/1 MIDC TARAPUR BOISAR

		Palbociclib	1.5	<table border="1"> <thead> <tr> <th>Month</th> <th>Production MT</th> </tr> </thead> <tbody> <tr><td>Oct.-23</td><td>0.0</td></tr> <tr><td>Nov.-23</td><td>0.0</td></tr> <tr><td>Dec.-23</td><td>0.0</td></tr> <tr><td>Jan.-24</td><td>0.0</td></tr> <tr><td>Feb-24</td><td>0.0</td></tr> <tr><td>Mar.-24</td><td>0.0</td></tr> </tbody> </table>	Month	Production MT	Oct.-23	0.0	Nov.-23	0.0	Dec.-23	0.0	Jan.-24	0.0	Feb-24	0.0	Mar.-24	0.0	
Month	Production MT																		
Oct.-23	0.0																		
Nov.-23	0.0																		
Dec.-23	0.0																		
Jan.-24	0.0																		
Feb-24	0.0																		
Mar.-24	0.0																		
		Ribociclib	1.5	<table border="1"> <thead> <tr> <th>Month</th> <th>Production MT</th> </tr> </thead> <tbody> <tr><td>Oct.-23</td><td>0.0</td></tr> <tr><td>Nov.-23</td><td>0.0</td></tr> <tr><td>Dec.-23</td><td>0.0</td></tr> <tr><td>Jan.-24</td><td>0.0</td></tr> <tr><td>Feb-24</td><td>0.0</td></tr> <tr><td>Mar.-24</td><td>0.0</td></tr> </tbody> </table>	Month	Production MT	Oct.-23	0.0	Nov.-23	0.0	Dec.-23	0.0	Jan.-24	0.0	Feb-24	0.0	Mar.-24	0.0	
Month	Production MT																		
Oct.-23	0.0																		
Nov.-23	0.0																		
Dec.-23	0.0																		
Jan.-24	0.0																		
Feb-24	0.0																		
Mar.-24	0.0																		
		Venetoclax	1.5	<table border="1"> <thead> <tr> <th>Month</th> <th>Production MT</th> </tr> </thead> <tbody> <tr><td>Oct.-23</td><td>0.0</td></tr> <tr><td>Nov.-23</td><td>0.0</td></tr> <tr><td>Dec.-23</td><td>0.0</td></tr> <tr><td>Jan.-24</td><td>0.0</td></tr> <tr><td>Feb-24</td><td>0.0</td></tr> <tr><td>Mar.-24</td><td>0.0</td></tr> </tbody> </table>	Month	Production MT	Oct.-23	0.0	Nov.-23	0.0	Dec.-23	0.0	Jan.-24	0.0	Feb-24	0.0	Mar.-24	0.0	
Month	Production MT																		
Oct.-23	0.0																		
Nov.-23	0.0																		
Dec.-23	0.0																		
Jan.-24	0.0																		
Feb-24	0.0																		
Mar.-24	0.0																		
17	15	Dapagliflozin	5	<table border="1"> <thead> <tr> <th>Month</th> <th>Production MT</th> </tr> </thead> <tbody> <tr><td>Oct.-23</td><td>0.0</td></tr> <tr><td>Nov.-23</td><td>0.0</td></tr> <tr><td>Dec.-23</td><td>0.0</td></tr> <tr><td>Jan.-24</td><td>0.0</td></tr> <tr><td>Feb-24</td><td>0.0</td></tr> <tr><td>Mar.-24</td><td>0.0</td></tr> </tbody> </table>	Month	Production MT	Oct.-23	0.0	Nov.-23	0.0	Dec.-23	0.0	Jan.-24	0.0	Feb-24	0.0	Mar.-24	0.0	
Month	Production MT																		
Oct.-23	0.0																		
Nov.-23	0.0																		
Dec.-23	0.0																		
Jan.-24	0.0																		
Feb-24	0.0																		
Mar.-24	0.0																		
		Canagliflozin Hemihydrate	5	<table border="1"> <thead> <tr> <th>Month</th> <th>Production MT</th> </tr> </thead> <tbody> <tr><td>Oct.-23</td><td>0.0</td></tr> <tr><td>Nov.-23</td><td>0.0</td></tr> <tr><td>Dec.-23</td><td>0.0</td></tr> <tr><td>Jan.-24</td><td>0.0</td></tr> <tr><td>Feb-24</td><td>0.0</td></tr> <tr><td>Mar.-24</td><td>0.0</td></tr> </tbody> </table>	Month	Production MT	Oct.-23	0.0	Nov.-23	0.0	Dec.-23	0.0	Jan.-24	0.0	Feb-24	0.0	Mar.-24	0.0	
Month	Production MT																		
Oct.-23	0.0																		
Nov.-23	0.0																		
Dec.-23	0.0																		
Jan.-24	0.0																		
Feb-24	0.0																		
Mar.-24	0.0																		

AARTI PAHARMALABS LIMITED
PLOT NO.E-59/1 MIDC TARAPUR BOISAR

<p>6</p> <p>The estimated proposed project cost is Rs.45 Crores. Total capital cost earmarked towards environmental pollution measures is Rs.5.44 Crores & the Recurring cost (operation & maintenance) will be about Rs.2.07 Crores per annum. Total employment will be 280 persons as direct & 1400 persons indirect for proposed project. Industry proposes to allocate Rs.90 Lakhs towards Corporate Environment Responsibility.</p>	<p>Project partly completed for one Production block Rs 26 Cr Spend remaining expansion will be completed within stipulated EC period. Recruitment of Employees going on currently 50 Employment direct and 15 indirect persons employment done. Industry Spend Rs,23 & 90 Lakhs towards Corporate Environment</p>																																																							
<p>7</p> <p>There are no National parks, Wildlife sanctuaries, Biosphere Reserves, Tiger/ Elephant Reserves, Wildlife Corridors etc. lies within 10 km distance. Nalla outside plot passes along east to southwest plot boundary. Banganga River is flowing at a distance of 1.8 km in North-West direction.</p>	<p>Noted & Agreed</p>																																																							
<p>8</p> <p>Total water requirement is 510 m3/day out of which fresh water requirement of 366 m3/day will be met from MIDC and balance 144 m3/day will be met from recycling treated effluent. Trade Effluent of 142 m3/day will be treated through ETP, RO, MEE & ATFD. Treated effluent will be fully recycled back within facility. No effluent will be discharged outside facility. Proposed project is Zero Liquid Discharge facility. Domestic sewage of 12 m3/ef will be treated in STP. Treated sewage will be used for green belt maintenance within site.</p>	<p>We have Part Consent to operate so Total water requirement for project is 330 m3/day out of which fresh water requirement of 231 m3/day is met from MIDC and balance 99 m3/day is from recycling treated effluent. Trade Effluent of 87 m3/day is be treated through ETP, RO, MEE & ATFD. Treated effluent is fully recycled back within the facility. No effluent is discharged outside the facility. Zero Liquid Discharge facility is in place. Domestic Sewage of 12 m3/day is treated in STP. Treated sewage is used for green belt maintenance within site.</p>																																																							
<p>9</p> <p>Power requirement for proposed project will be 5500 KVA and will be met from MSEDCL .1no of 625 KVA and 1 no .of 1250 KVA DG sets will be used as stand by during power failure .stack height (7 meter each above building) will be provided as per CPCB norms to the proposed DG sets. Existing unit has 2 TPH furnace oil fired boiler as per consent to establish For proposed project 1no of 14 TPH Biofuel (Biodiesel)/Natural Gas and 1 No.14 TPH coal/Briquette fired boiler will be installed .Existing boiler as per CTE will not be installed on site as capacity of higher boilers are proposed . lime treatment with cyclone separator followed by bag filter will be installed for controlling the particulate emission with in limit of 150mg/nm3.common tack height of 40m will be provided for proposed boiler</p>	<p>Currently 2500 KVA Distribution transformer installed, One no 1250 KVA DG set has been installed with stack height 7 meter above building provided. 8 TPH Bio-fueled fired boilers installed. Stack height above 40 M provided.</p>																																																							
<p>10</p> <table border="1" style="width: 100%; border-collapse: collapse;"> <thead> <tr> <th colspan="5" style="text-align: left;">Details of Process emissions generation and its management As per EC:</th> </tr> <tr> <th style="width: 15%;">Details</th> <th style="width: 15%;">Scrubber-1</th> <th style="width: 15%;">Scrubber-2</th> <th style="width: 15%;">Scrubber-3</th> <th style="width: 15%;">Scrubber-4</th> </tr> </thead> <tbody> <tr> <td>Scrubbing Media</td> <td>Caustic</td> <td>Caustic</td> <td>Acid</td> <td>Acid</td> </tr> <tr> <td>Packing Type</td> <td>PP Pall Rings</td> <td>PP Pall Rings</td> <td>PP Pall Rings</td> <td>PP Pall Rings</td> </tr> <tr> <td>MOC</td> <td>PP FRP</td> <td>PP FRP</td> <td>PP FRP</td> <td>PP FRP</td> </tr> <tr> <td>Shape</td> <td>Cylindrical</td> <td>Cylindrical</td> <td>Cylindrical</td> <td>Cylindrical</td> </tr> <tr> <td>Diameter</td> <td>500 mm</td> <td>500 mm</td> <td>500 mm</td> <td>500 mm</td> </tr> <tr> <td>Pollutant</td> <td>Acid mist</td> <td>Acid mist</td> <td>Acid mist</td> <td>Acid mist</td> </tr> <tr> <td>Stack height</td> <td>6m</td> <td>6m</td> <td>6m</td> <td>6m</td> </tr> <tr> <td>Gas Temperature</td> <td>Ambient</td> <td>Ambient</td> <td>Ambient</td> <td>Ambient</td> </tr> <tr> <td>Control Equipment</td> <td>Temperature Transmitter Pressure transmitter r/ pH sensor</td> <td>Temperature Transmitter Pressure transmitter r/ pH sensor</td> <td>Temperature Transmitter Pressure transmitter r/ pH sensor</td> <td>Temperature Transmitter Pressure transmitter r/ pH sensor</td> </tr> </tbody> </table>	Details of Process emissions generation and its management As per EC:					Details	Scrubber-1	Scrubber-2	Scrubber-3	Scrubber-4	Scrubbing Media	Caustic	Caustic	Acid	Acid	Packing Type	PP Pall Rings	PP Pall Rings	PP Pall Rings	PP Pall Rings	MOC	PP FRP	PP FRP	PP FRP	PP FRP	Shape	Cylindrical	Cylindrical	Cylindrical	Cylindrical	Diameter	500 mm	500 mm	500 mm	500 mm	Pollutant	Acid mist	Acid mist	Acid mist	Acid mist	Stack height	6m	6m	6m	6m	Gas Temperature	Ambient	Ambient	Ambient	Ambient	Control Equipment	Temperature Transmitter Pressure transmitter r/ pH sensor	Temperature Transmitter Pressure transmitter r/ pH sensor	Temperature Transmitter Pressure transmitter r/ pH sensor	Temperature Transmitter Pressure transmitter r/ pH sensor	<p style="text-align: center;">Complied</p>
Details of Process emissions generation and its management As per EC:																																																								
Details	Scrubber-1	Scrubber-2	Scrubber-3	Scrubber-4																																																				
Scrubbing Media	Caustic	Caustic	Acid	Acid																																																				
Packing Type	PP Pall Rings	PP Pall Rings	PP Pall Rings	PP Pall Rings																																																				
MOC	PP FRP	PP FRP	PP FRP	PP FRP																																																				
Shape	Cylindrical	Cylindrical	Cylindrical	Cylindrical																																																				
Diameter	500 mm	500 mm	500 mm	500 mm																																																				
Pollutant	Acid mist	Acid mist	Acid mist	Acid mist																																																				
Stack height	6m	6m	6m	6m																																																				
Gas Temperature	Ambient	Ambient	Ambient	Ambient																																																				
Control Equipment	Temperature Transmitter Pressure transmitter r/ pH sensor	Temperature Transmitter Pressure transmitter r/ pH sensor	Temperature Transmitter Pressure transmitter r/ pH sensor	Temperature Transmitter Pressure transmitter r/ pH sensor																																																				

AARTI PAHARMALABS LIMITED
PLOT NO.E-59/1 MIDC TARAPUR BOISAR

11	<p>A. Solid waste generation & it's disposal As per EC:</p> <table border="1" style="width: 100%; border-collapse: collapse;"> <thead> <tr> <th style="width: 15%;">Particulars</th> <th style="width: 15%;">Total Quantity</th> <th style="width: 15%;">UOM</th> <th style="width: 55%;">Method of Disposal</th> </tr> </thead> <tbody> <tr> <td>Used Apron</td> <td style="text-align: center;">1600</td> <td style="text-align: center;">No/month</td> <td>Sell to scrap merchant/ Authorized party</td> </tr> <tr> <td>Hand gloves</td> <td style="text-align: center;">3200</td> <td style="text-align: center;">No/month</td> <td>Sell to scrap merchant/ Authorized party</td> </tr> <tr> <td>Paper/Files</td> <td style="text-align: center;">150</td> <td style="text-align: center;">Kg/month</td> <td>Sell to scrap merchant/ Authorized party</td> </tr> <tr> <td>Metal scrap</td> <td style="text-align: center;">150</td> <td style="text-align: center;">MT/A</td> <td>Sell to scrap merchant/ Authorized party</td> </tr> <tr> <td>Glass scrap</td> <td style="text-align: center;">3600</td> <td style="text-align: center;">Kg/A</td> <td>Sell to scrap merchant/ Authorized party</td> </tr> <tr> <td>Corrugated box</td> <td style="text-align: center;">4500</td> <td style="text-align: center;">No/A</td> <td>Sell to scrap merchant/ Authorized party</td> </tr> <tr> <td>Garbage</td> <td style="text-align: center;">4500</td> <td style="text-align: center;">Kg/A</td> <td>Sell to scrap merchant/ Authorized party</td> </tr> <tr> <td>Fibre drums</td> <td style="text-align: center;">2200</td> <td style="text-align: center;">No/Month</td> <td>Sell to scrap merchant/ Authorized party</td> </tr> <tr> <td>MS drums</td> <td style="text-align: center;">1000</td> <td style="text-align: center;">No/Month</td> <td>Sell to scrap merchant/ Authorized party</td> </tr> <tr> <td>Wood pallets & packing material</td> <td style="text-align: center;">2500</td> <td style="text-align: center;">Kg/A</td> <td>Sell to scrap merchant/ Authorized party</td> </tr> <tr> <td>Coal ash</td> <td style="text-align: center;">90</td> <td style="text-align: center;">MT/Month</td> <td>Sell to scrap merchant/ Authorized party</td> </tr> <tr> <td>E waste</td> <td style="text-align: center;">500</td> <td style="text-align: center;">Kg/ Month</td> <td>Sell to scrap merchant/ Authorized party</td> </tr> </tbody> </table>	Particulars	Total Quantity	UOM	Method of Disposal	Used Apron	1600	No/month	Sell to scrap merchant/ Authorized party	Hand gloves	3200	No/month	Sell to scrap merchant/ Authorized party	Paper/Files	150	Kg/month	Sell to scrap merchant/ Authorized party	Metal scrap	150	MT/A	Sell to scrap merchant/ Authorized party	Glass scrap	3600	Kg/A	Sell to scrap merchant/ Authorized party	Corrugated box	4500	No/A	Sell to scrap merchant/ Authorized party	Garbage	4500	Kg/A	Sell to scrap merchant/ Authorized party	Fibre drums	2200	No/Month	Sell to scrap merchant/ Authorized party	MS drums	1000	No/Month	Sell to scrap merchant/ Authorized party	Wood pallets & packing material	2500	Kg/A	Sell to scrap merchant/ Authorized party	Coal ash	90	MT/Month	Sell to scrap merchant/ Authorized party	E waste	500	Kg/ Month	Sell to scrap merchant/ Authorized party	<p>Last 6 Months HAZARDOUS WASTE Details as follows</p> <table border="1" style="width: 100%; border-collapse: collapse;"> <thead> <tr> <th style="width: 15%;">Particulars</th> <th style="width: 15%;">Total Quantity Disposed (Oct-23 to March-24)</th> <th style="width: 15%;">UOM</th> <th style="width: 55%;">Method of Disposal</th> </tr> </thead> <tbody> <tr> <td>Used Apron</td> <td style="text-align: center;">0</td> <td style="text-align: center;">No</td> <td>Sell to scrap merchant/ Authorized party</td> </tr> <tr> <td>Hand gloves</td> <td style="text-align: center;">0</td> <td style="text-align: center;">No</td> <td>Sell to scrap merchant/ Authorized party</td> </tr> <tr> <td>Paper/Files</td> <td style="text-align: center;">0</td> <td style="text-align: center;">Kg</td> <td>Sell to scrap merchant/ Authorized party</td> </tr> <tr> <td>Metal scrap</td> <td style="text-align: center;">30.16</td> <td style="text-align: center;">MT</td> <td>Sell to scrap merchant/ Authorized party</td> </tr> <tr> <td>Glass scrap</td> <td style="text-align: center;">423</td> <td style="text-align: center;">Kg</td> <td>Sell to scrap merchant/ Authorized party</td> </tr> <tr> <td>Corrugated box</td> <td style="text-align: center;">0</td> <td style="text-align: center;">No</td> <td>Sell to scrap merchant/ Authorized party</td> </tr> <tr> <td>Garbage</td> <td style="text-align: center;">0</td> <td style="text-align: center;">Kg</td> <td>Sell to scrap merchant/ Authorized party</td> </tr> <tr> <td>Fibre drums</td> <td style="text-align: center;">108</td> <td style="text-align: center;">No</td> <td>Sell to scrap merchant/ Authorized party</td> </tr> <tr> <td>MS drums</td> <td style="text-align: center;">0</td> <td style="text-align: center;">No</td> <td>Sell to scrap merchant/ Authorized party</td> </tr> <tr> <td>Wood pallets & packing material</td> <td style="text-align: center;">0</td> <td style="text-align: center;">Kg</td> <td>Sell to scrap merchant/ Authorized party</td> </tr> <tr> <td>Coal ash</td> <td style="text-align: center;">0</td> <td style="text-align: center;">MT</td> <td>Sell to scrap merchant/ Authorized party</td> </tr> <tr> <td>E waste</td> <td style="text-align: center;">0</td> <td style="text-align: center;">Kg</td> <td>Sell to scrap merchant/ Authorized party</td> </tr> </tbody> </table>	Particulars	Total Quantity Disposed (Oct-23 to March-24)	UOM	Method of Disposal	Used Apron	0	No	Sell to scrap merchant/ Authorized party	Hand gloves	0	No	Sell to scrap merchant/ Authorized party	Paper/Files	0	Kg	Sell to scrap merchant/ Authorized party	Metal scrap	30.16	MT	Sell to scrap merchant/ Authorized party	Glass scrap	423	Kg	Sell to scrap merchant/ Authorized party	Corrugated box	0	No	Sell to scrap merchant/ Authorized party	Garbage	0	Kg	Sell to scrap merchant/ Authorized party	Fibre drums	108	No	Sell to scrap merchant/ Authorized party	MS drums	0	No	Sell to scrap merchant/ Authorized party	Wood pallets & packing material	0	Kg	Sell to scrap merchant/ Authorized party	Coal ash	0	MT	Sell to scrap merchant/ Authorized party	E waste	0	Kg	Sell to scrap merchant/ Authorized party
Particulars	Total Quantity	UOM	Method of Disposal																																																																																																							
Used Apron	1600	No/month	Sell to scrap merchant/ Authorized party																																																																																																							
Hand gloves	3200	No/month	Sell to scrap merchant/ Authorized party																																																																																																							
Paper/Files	150	Kg/month	Sell to scrap merchant/ Authorized party																																																																																																							
Metal scrap	150	MT/A	Sell to scrap merchant/ Authorized party																																																																																																							
Glass scrap	3600	Kg/A	Sell to scrap merchant/ Authorized party																																																																																																							
Corrugated box	4500	No/A	Sell to scrap merchant/ Authorized party																																																																																																							
Garbage	4500	Kg/A	Sell to scrap merchant/ Authorized party																																																																																																							
Fibre drums	2200	No/Month	Sell to scrap merchant/ Authorized party																																																																																																							
MS drums	1000	No/Month	Sell to scrap merchant/ Authorized party																																																																																																							
Wood pallets & packing material	2500	Kg/A	Sell to scrap merchant/ Authorized party																																																																																																							
Coal ash	90	MT/Month	Sell to scrap merchant/ Authorized party																																																																																																							
E waste	500	Kg/ Month	Sell to scrap merchant/ Authorized party																																																																																																							
Particulars	Total Quantity Disposed (Oct-23 to March-24)	UOM	Method of Disposal																																																																																																							
Used Apron	0	No	Sell to scrap merchant/ Authorized party																																																																																																							
Hand gloves	0	No	Sell to scrap merchant/ Authorized party																																																																																																							
Paper/Files	0	Kg	Sell to scrap merchant/ Authorized party																																																																																																							
Metal scrap	30.16	MT	Sell to scrap merchant/ Authorized party																																																																																																							
Glass scrap	423	Kg	Sell to scrap merchant/ Authorized party																																																																																																							
Corrugated box	0	No	Sell to scrap merchant/ Authorized party																																																																																																							
Garbage	0	Kg	Sell to scrap merchant/ Authorized party																																																																																																							
Fibre drums	108	No	Sell to scrap merchant/ Authorized party																																																																																																							
MS drums	0	No	Sell to scrap merchant/ Authorized party																																																																																																							
Wood pallets & packing material	0	Kg	Sell to scrap merchant/ Authorized party																																																																																																							
Coal ash	0	MT	Sell to scrap merchant/ Authorized party																																																																																																							
E waste	0	Kg	Sell to scrap merchant/ Authorized party																																																																																																							

AARTI PAHARMALABS LIMITED
PLOT NO.E-59/1 MIDC TARAPUR BOISAR

8	Spent organic Solvent	28.6	781	KL/M	450	KL/M	Authorized party coprocessor CHWTSDF	41.73	100	51.16	83.36	70.32	71.64	Authorized party coprocessor or CHWTSDF
9	Empty Barrels/containers/Plastic bags & fibres	33.1	7700	Nos/M	1100	Nos/M	Authorized recycler	0.00	0.00	0.00	0.00	0.00	0.00	Authorized recycler
10	Sludge from ETP	35.3	6.5	Tons/M	5.0	Tons/M	CHWTSDF	1.09	2	1.5	2.15	0	4.5	CHWTSDF
11	Oil & grease skimming	35.4	100	Kg/A	0.05	MT/M	CHWTSDF	0.00	0.00	0.00	0.00	0	0.00	CHWTSDF
12	Concentration residue/MEE Salts	37.3	120.5	Tons/M	70	Tons/M	CHWTSDF	30.36	7.51	32.41	28.43	23.95	49.81	CHWTSDF
12	<p>The proposal was considered by the EAC (Industry-3) in its 3rd meeting held during 29-30 December, 2020. The project proponent and their consultant M/s Aditya Environmental Services Pvt Ltd, made a detailed presentation through Video Conferencing (VC) and have presented the PFR/EMP report. The EAC, constituted under the provision of the EIA Notification, 2006 and comprising of Experts Members/domain experts in various fields, have examined the proposal submitted by the Project Proponent in desired form along with PFR & EMP report prepared and submitted by the Consultant accredited by the QCI/NABET on behalf of the Project Proponent. The Committee has appreciated the quality of the presentation and technical knowledge of the consultant, and recommended to rate at excellent level.</p> <p>The EAC noted that the Project Proponent has given undertaking that the data and information given in the application and enclosures are true to the best of his knowledge and belief and no information has been suppressed in the PFR & EMP report. If any part of data/information submitted is found to be false/ misleading at any stage, the project will be rejected and Environmental Clearance given, if any, will be revoked at the risk and cost of the project proponent. The Committee noted that the PFR/EMP report reflects the present environmental concerns and the projected scenario for all the environmental components. The committee deliberated the action plan and budget allocation for green belt development, mitigation measure towards Air, Water, Noise and Soil pollution. The committee found that only 20% land is available for the green belt development. As informed by the PP additional green belt development will be done in nearby area. The committee convinced that EC can be granted only if additional land will be approved by the</p>							Noted and Agreed						

AARTI PAHARMALABS LIMITED
PLOT NO.E-59/1 MIDC TARAPUR BOISAR

	<p>MIDC for green belt development by PP. The Committee has also deliberated on the activities/ action plan and found to be addressing the issues in the study area. The Committee has also deliberated the activities/action plan and its mitigation plan with respect to critically polluted area. The Committee has suggested that the storage of toxic/explosive raw material/products shall be undertaken with utmost precautions and following safety norms and best practices.</p> <p>The EAC has deliberated the proposal and has made due diligence in the process notified under the provisions of the EIA Notification, 2006, as amended from time to time and accordingly made the recommendations to the proposal. The Experts Members of the EAC have found the proposal in order and have recommended for grant of environmental clearance.</p>	
13	<p>The environmental clearance granted to the project/activity is strictly under the provisions of the EIA Notification 2006 and its amendments. It does not tantamount/construe to approvals/consent/ permissions etc. required to be obtained or standards/conditions to be followed under any other Acts/ Rules/ Subordinate legislations, etc., as may be applicable to the project. The project proponent shall obtain necessary permission as mandated under the Water (Prevention and Control of Pollution) Act, 1974 and the Air (Prevention and Control of Pollution) Act, 1981, as applicable from time to time, from the State Pollution Control Board, prior to construction & operation of the project.</p>	Complied
14	<p>Based on the proposal submitted by the project proponent and recommendations of the EAC (Industry-3), Ministry of Environment, Forest and Climate Change hereby accords environmental clearance to the project for Setting up of Active Pharmaceutical Ingredient (API's), Bulk Drugs manufacturing facility of capacity 210 TPM by M/s Aarti Industries Limited, located at Plot no E-59-1, MIDC Tarapur, Maharashtra, under the provisions of the EIA Notification, 2006, and the amendments therein, subject to compliance of the terms and conditions as under:-</p>	Noted and Agreed
	A. Specific Condition	
i	<p>The SPCB shall follow the mechanism/protocol issued by the Ministry vide letter no. Q-16017/38/2018-CPA dated 24th October, 2019 and forwarded by Central Pollution Control Board vide letter dated 25th October, 2019 to the SPCB's, while issuing the CTE/CTO for the project, for improvement of environmental quality in the area.</p>	Noted and Agreed
ii	<p>The company shall comply with all the environmental protection measures and safeguards proposed in the documents submitted to the Ministry. All the recommendations made in the EIA/EMP in respect of environmental management, and risk mitigation measures relating to the project shall be implemented.</p>	EMP compliance report attached for your reference ANNEXURE II
iii	<p>Fugitive emissions shall be controlled at 99.98% with effective chillers. Volatile organic compounds (VOCs)/Fugitive emissions shall be controlled at 99.997% with effective chillers/modern technology. Regular VOCs monitoring should be carried out.</p>	Complied, all tanks and pipelines are pressure tested. Double heat exchangers are provided with effective chilling and super chilled modern utilities. Drawing details is attached as ANNEXURE III
iv	<p>As already committed by the project proponent, Zero Liquid Discharge shall be ensured and no waste/treated water shall be discharged outside the premises. Treated effluent shall be reused in the process/utilities. Treated Industrial effluent shall not be used for gardening/greenbelt development/horticulture.</p>	Complied Zero Liquid Discharge diagram and details is attached as ANNEXURE IV
v	<p>Occupational health centre for surveillance of the worker's health shall be set up. The health data shall be used in deploying the duties of the workers. All workers & employees shall be provided with required safety kits/mask for personal protection.</p>	Complied, full fledged Occupation health center with doctor is available Photograph of OHC and Ambulance is attached as ANNEXURE V

AARTI PAHARMALABS LIMITED
PLOT NO.E-59/1 MIDC TARAPUR BOISAR

vi	The unit shall make the arrangement for protection of possible fire hazards during manufacturing process in material handling. Fire-fighting system shall be as per the norms.	Complied , Fire -fighting system and equipment are available List of firefighting equipment is attached as ANNEXURE VI
vii	Training shall be imparted to all employees on safety and health aspects of chemicals handling. Safety and visual reality training shall be provided to employees.	Complied ,Displayed boards and picture ,training provided
viii	Total fresh water requirement shall not exceed 366 m3/day will be met from MIDC.Prior permission in this regard shall be obtained from the concerned regulatory I,e authority.	Complied , CTO obtained ANNEXURE VII
ix	Storm water from the roof top shall be channelized through pipes to the storage tank constructed for harvesting of rain water in the premises and harvested water shall be used for various industrial processes in the unit. No recharge shall be permitted within the premises. Process effluent/ any wastewater shall not be allowed to mix with storm water.	Complied
x	Continuous online (24x7) monitoring system for stack emissions shall be installed for measurement of flue gas discharge and the pollutants concentration, and the data to be transmitted to the CPCB and SPCB server. For ZLD, the unit shall install web camera with night vision capability and flow meters in the channel/drain carrying effluent within the premises.	Provision of stack monitoring provided. Web camera & flow meter is installed using the ZLD system. Server will be connected to SPCB, CPCB work under process.
xi	Solvent management shall be carried out as follows: (a) Reactor shall be connected to chilled brine condenser system. (b) Reactor and solvent handling pump shall have mechanical seals to prevent leakages. (c) Solvents shall be stored in a separate space specified with all safety measures. (d) Proper earthing shall be provided in all the electrical equipment wherever solvent handling is done. (e) Entire plant shall be flame proof. The solvent storage tanks shall be provided with breather valve to prevent losses. (f) All the solvent storage tanks shall be connected with vent condensers with chilled brine circulation.	Complied Flow meter ,condenser,Mechanical seal ,Tank farm,Earthing Patti, Breather valve and vent condenser
xii	Process organic residue and spent carbon, if any, shall be sent to Cement other suitable industries for its incinerations. ETP sludge, process inorganic & evaporation salt shall be disposed of to the TSDF.	Complied, TSDF MWML Membership taken. Photocopy is attached as ANNEXURE VIII
xiii	The company shall undertake waste minimization measures as below (a) Metering and control of quantities of active ingredients to minimize waste; (b) Reuse of by-products from the process as raw materials or as raw material substitutes in other processes. (c) Use of automated filling to minimize spillage. (d) Use of Close Feed system into batch reactors. (e) Venting equipment through vapour recovery system. (f) Use of high pressure hoses for equipment clearing to reduce wastewater generation.	Complied. A separate team of Process development lab is deployed. ATFD Photocopy for drying filter press is attached as ANNEXURE IX
xiv	The green belt of at least 5-10 m width shall be developed in nearly 40% of the total project area, mainly along the plant periphery. Selection of plant species shall be as per the CPCB guidelines in consultation with the State Forest Department. Records of tree canopy shall be monitored through remote sensing map	Complied.
xv	The activities and the action plan proposed by the project proponent to address the socio-economic issues in the study area, shall be completed as per the schedule presented before the Committee and as described in the EMP report in letter and spirit. All the commitments made shall be satisfactorily implemented.	Complied EMP compliance Attached ANNEXURE II

AARTI PAHARMALABS LIMITED
PLOT NO.E-59/1 MIDC TARAPUR BOISAR

xvi	A separate Environmental Management Cell (having qualified person with Environmental Science/Environmental Engineering/specialization in the project area) equipped with full-fledged laboratory facilities shall be set up to carry out the Environmental Management and Monitoring functions.	Complied organogram of Environment cell is attached as ANNEXURE X
	General Condition:	
i	No further expansion or modifications in the plant, other than mentioned in the EIA Notification, 2006 and its amendments, shall be carried out without prior approval of the Ministry of Environment, Forest and Climate Change/SEIAA, as applicable. In case of deviations or alterations in the project proposal from those submitted to this Ministry for clearance, a fresh reference shall be made to the Ministry/SEIAA, as applicable, to assess the adequacy of conditions imposed and to add additional environmental protection measures required, if any.	Noted & Agreed
ii	The energy source for lighting purpose shall be preferably LED based, or advanced having preference in energy conservation and environment betterment.	Complied List of LED fixtures attached for your reference ANNEXURE XI
iii	The overall noise levels in and around the plant area shall be kept well within the standards by providing noise control measures including acoustic hoods, silencers, enclosures etc. on all sources of noise generation. The ambient noise levels shall conform to the standards prescribed under the Environment (Protection) Act, 1986 Rules, 1989 viz. 75 dBA (day time) and 70 dBA (night time).	Complied, Noise monitoring report by MOEF approved lab attached for your reference. ANNEXURE XII
iv	The company shall undertake all relevant measures for improving the socio-economic conditions of the surrounding area. CER activities shall be undertaken by involving local villages and administration and shall be implemented. The company shall undertake eco-developmental measures including community welfare measures in the project area for the overall improvement of the environment.	Complied. Rs 90 Lacs spend as CER fund. Receipt attached for your reference as ANNEXURE XIII
v	The company shall earmark sufficient funds towards capital cost and recurring cost per annum to implement the conditions stipulated by the Ministry of Environment, Forest and Climate Change as well as the State Government along with the implementation schedule for all the conditions stipulated herein. The funds so earmarked for environment management/ pollution control measures shall not be diverted for any other purpose.	Noted & Agreed
vi	A copy of the clearance letter shall be sent by the project proponent to concerned Panchayat, Zilla Parishad/Municipal Corporation, Urban local Body and the local NGO, if any, from whom suggestions/ representations, if any, were received while processing the proposal.	Complied, No any suggestions received while processing the proposal.
vii	The project proponent shall also submit six monthly reports on the status of compliance of the stipulated Environmental Clearance conditions (including results of monitored data (both in hard copies as well as by e-mail) to the respective Regional Office of MoEF&CC, the respective Zonal Office of CPCB and SPCB. A copy of Environmental Clearance and six monthly compliance status report shall be posted on the website of the company.	Complied, Six monthly compliance report attached as ANNEXURE XIV

AARTI PAHARMALABS LIMITED
PLOT NO.E-59/1 MIDC TARAPUR BOISAR

viii	The environmental statement for each financial year ending 31st March in Form-V as is mandated shall be submitted to the concerned State Pollution Control Board as prescribed under the Environment (Protection) Rules, 1986, as amended subsequently, shall also be put on the website of the company along with the status of compliance of environmental clearance conditions and shall also be sent to the respective Regional Offices of MoEF&CC by e-mail	We are regularly submitted environment statement (form -V) to MPCB
ix	The project proponent shall inform the public that the project has been accorded environmental clearance by the Ministry and copies of the clearance letter are available with the SPCB/Committee and may also be seen at Website of the Ministry and at https://parivesh.nic.in/ . This shall be advertised within seven days from the date of issue of the clearance letter, at least in two local newspapers that are widely circulated in the region of which one shall be in the vernacular language of the locality concerned and a copy of the same shall be forwarded to the concerned Regional Office of the Ministry.	Complied, Two News paper copies with Advertisement attached as ANNEXURE XV
x	The project authorities shall inform the Regional Office as well as the Ministry, the date of financial closure and final approval of the project by the concerned authorities and the date of start of the project	Noted & Agreed
xi	This Environmental clearance is granted subject to final outcome of Hon'ble Supreme Court of India, Hon'ble High Court, Hon'ble NGT and any other Court of Law, if any, as may be applicable to this project.	Noted & Agreed
15	The Ministry reserves the right to stipulate additional conditions, if found necessary at subsequent stages and the project proponent shall implement all the said conditions in a time bound manner. The Ministry may revoke or suspend the environmental clearance, if implementation of any of the above conditions is not found satisfactory.	Noted & Agreed
16	Concealing factual data or submission of false/fabricated data and failure to comply with any of the conditions mentioned above may result in withdrawal of this clearance and attract action under the provisions of Environment (Protection) Act, 1986.	Noted & Agreed
17	Any appeal against this environmental clearance shall lie with the National Green Tribunal, if preferred, within a period of 30 days as prescribed under Section 16 of the National Green Tribunal Act, 2010.	Noted & Agreed
18	The above conditions will be enforced, inter-alia under the provisions of the Water (Prevention & Control of Pollution) Act, 1974, the Air (Prevention & Control of Pollution) Act, 1981, the Environment (Protection) Act, 1986, the Hazardous Waste (Management, Handling and Transboundary Movement) Rules, 2016 and the Public Liability Insurance Act, 1991 read with subsequent amendments therein	Noted & Agreed
19	This issues with the approval of the competent authority.	Noted & Agreed

Annexure - I

Maharashtra Industrial Development Corporation
(A Government Of Maharashtra Undertaking)

Tel: (022) 5820703,
Fax: 022 5821886
E-mail: rothanel@midcindia.org

Regional Office, Thane-1
MIDC, Thane Region, Office Complex
Building, 1st Floor Near Wagle Estate,
Octroi Naka,
THANE - 400604

Letter No.: MIDC/RO(ROT)/TRP/

Date:

POSSESSION RECEIPT

I, SHRI V.D. TRIMUKHE., Head Surveyor on behalf of the Maharashtra Industrial Development Corporation and Shri. Shri Gulab R. Patil..... On behalf of **M/s. Aarti Industries Ltd.**, have this **06th day of July-2022** respectively handed over and taken over the possession of **Plot No. OS-25 & OS-81**, Admeasuring (4147 m² + 647m²= 4794 m² Area for Plot no. **E-59/1** in **TARAPUR INDL. AREA**, Taluka **PALGHAR**, District **PALGHAR** after actual measurement and demarcation of the plot on the site as is where is basis.

" Though the Physical possession of the **Plot No. OS-25 & OS-81** are handed over today, the **06th day of July-2022**, the legal title to the plot shall be passed on to the allottee only after the legal documents as prescribed by MIDC are duly completed and titling conferred by the allottee and the competent officer in MIDC, and this possession receipt by itself, does not pass on the legal title of the plot to the person, to whom the plot is handed over"

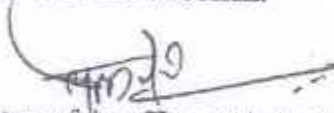
In this connection, above possession is handed over subject to execution of Agreement to Lease within 30 days from the date of possession.


Place:

Date: 06/07/22

Handed over by :
SHRI. V. D. TRIMUKHE.

Taken Over By :


(Signature of the officer with designation)


(Signature of the allottee or representative with his designation)

Maharashtra Industrial Development Corporation
(A Government Of Maharashtra Undertaking)

E-59/1

Tel: (022) 5820703,
Fax: 022 5821886
E-mail: rothane1@mideindia.org

Regional Office, Thane-1
MIDC, Thane Region, Office Complex
Building, 1st Floor Near Wagle Estate,
Oetroi Naka.
THANE - 400604

Letter No.: MIDC/RO(ROT-I)/TRP/OS-12 / 3536

Date: 04/07/2022

POSSESSION RECEIPT

I, **SHRI. V.D. Trimukhe, Head Surveyor** on behalf of the Maharashtra Industrial Development Corporation and **SHRI. GULAB R. PATIL** on behalf of **M/S. AARTI INDUSTRIES LIMITED** have this **6TH JULY 2022** respectively handed over and taken over the possession of **Plot No. OS-12**, Admeasuring **791.00 Sq. Meters** Area in **TARAPUR INDL. AREA**, Taluka - District **PALGHAR**, after actual measurement and demarcation of the plot on the site as is where is basis.

"Though the Physical possession of the **Plot No. OS-12** is handed over today, the **6TH JULY 2022** the legal title to the plot shall be passed on to the allottee only after the legal documents as prescribed by MIDC are duly completed and titling conferred by the allottee and the competent officer in MIDC, and this possession receipt by itself, does not pass on the legal title of the plot to the person, to whom the plot is handed over"

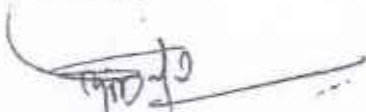
In this connection, above possession is handed over subject to execution of Agreement to Lease within 60 days from the date of possession.

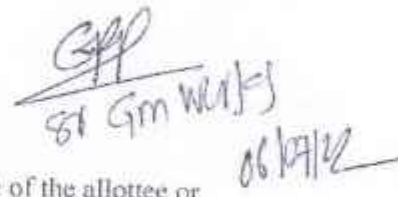
Place: Tarapur Indl area Plot No. OS-12

Date: 04/07/2022

Handed over by :
SHRI. V.D. TRIMUKHE.
HEAD SURVEYOR

Taken Over By :


(Signature of the officer with designation)


(Signature of the allottee or representative with his designation)

Annexure - II

ENVIRONMENTAL MANAGEMENT PLAN REPORT				
Sr.No	Impact category	Impact Mitigation Plan	Action Plan	Status
1.	Air environment	Water sprinkler to reduce dusting.	Sprinkler system provided.	complied
2.	Air environment	Separate area will be earmarked for storage of solid wastes generated while hazardous wastes will be stored in existing covered area earmarked for the purpose.	Hazardous waste storage provided and earmarked	complied
4.	Air environment	Use proper loading and unloading procedures for construction materials and cover them wherever required.	Proper loading and unloading procedures displayed and materials were covered wherever required.	complied
5.	Air environment	Use proper loading and unloading procedures for construction materials and cover them wherever required.	loading and unloading procedures Displayed	complied
6.	Air environment	Use of cleaner fuel for construction machinery and vehicles.	cleaner fuel used for construction machinery and vehicles.	complied
7.	Air environment	Avoid use of internal roads of villages for transport vehicles.	MIDC roads used	complied
8.	Air environment	Provision of barricading sheets, sprinkler, top soil preservation, Material storage precaution.	Barricading sheets, sprinkler system provided for Material storage precautions.	complied
9.	Air environment	Construction and demolition waste safe disposal as per norms	Construction and demolition waste safe disposal to authorized party/MWML	complied
10.	Air environment	PPEs for construction workers	PPEs Provided to construction workers	complied
11.	Air environment	Separate space shall be earmarked for parking of construction trucks so that they do not clog road. Heavy material will be brought in during night time only at site.	Separate space earmarked for parking of construction trucks	complied
12.	Air environment	Safe shelter for worker, Drinking water and sanitary facility	Drinking water and sanitary facility provided	complied
13.	Water environment	During construction, water shall be consumed from MIDC supply.	During construction, water consumed from MIDC supply.	complied
14.	Water environment.	Vigilant check shall be kept avoiding wastage and No waste water shall be discharged during the construction period.	Regularly check for avoiding wastage of water and No waste water discharged during the construction period.	complied
15.	Water environment	Construction materials shall be stored on tarpaulin sheets	Construction materials stored on tarpaulin sheets	complied
16.	Water environment	Leachate from storages shall not be allowed to run-off but collected through temporary drains and disposed with domestic waste water after debris removal.	Drain provided at drainage lines	complied
18.	Water environment	Toilets will be provided and connected to septic tanks discharging to soak pit.	Toilets provided with connected to septic tanks	complied
19.	Water environment	Temporary arrangement of clean drinking water will be provided for workers	20 lit HDPE tank provided for drinking	complied
20.	Noise	Night time construction shall be avoided as far as possible	Work permits system followed by limited period	complied
21.	Noise	Unwanted material and solid bags shall be placed as noise barriers during major construction activities.	Done whenever required.	complied
22.	Noise	Internal village roads shall not be used for transport.	MIDC road used for transportation	complied
23.	Noise	Ear muffs and Ear plugs shall be provided to labour and workers.	Ear muffs and Ear plugs provided for labour and workers for high noise working.	complied
24.	Noise	Use clean fuel for transport vehicles.	clean fuel used for transport vehicles.	complied
25.	Land environment.	Sewage wastes shall not be directly discharged into the land but will be treated in soak pit	soak pit provided for Sewage wastes	complied
26.	Land environment	Plastic sheets or tarpaulin shall be used for storage of construction materials	Tarpaulin Used for storage of construction material	complied
27.	Social environment	Adequate provision of PPE (helmets, safety shoes, harness, ear plugs, muffs, dust masks) for construction workers and adherence to safety norms	Adequate PPE provided to construction workers safety watch arranged during working hours	complied
28.	Social environment	First aid provisions for handling minor injuries.	First aid box provided to each floor.	complied
29.	Social environment	Provision by labor contractor for medical treatment at nearest dispensary or hospital shall be assured	Provision done for labor contractor medical treatment at site	complied
40.	Social environment	To instruct transporters and drivers for maintaining road safety and monitor adherence	Instruction given to all transporter and drivers for maintaining road safety	complied
31.	Social environment	Engage local contractors for non-specialized work	Engaged local contractors for non-specialized work	complied
32.	Ecological Environment	The management of air, water, and land environment as proposed above shall ensure that there is no adverse impact on the terrestrial and aquatic ecology of the area.	We have provided ZLD facility as per EC and CTE	complied
33.	Ecological Environment	Provide barriers around site with water sprinkling to reduce particulate dust generation	Barriers provided and sprinkler system provided	complied
34.	Ecological Environment	Tree plantation around boundary and on roadsides adjoining plot	Tree plantation done	complied
B) Operation phase of Plant				
35.	Air environment	Emission from Boilers, DG sets and processes will be there at site. Adequate stack height and APC devices will be installed as per CPCB norms. Continuous online monitoring system will be installed & connected to MPCB, CPCB server. Third party analysis report by MoEFCC-recognized laboratory will be carried out periodically.	Adequate stack height and APC devices installed as per CPCB norms. Analysis report by MoEF-CC recognized lab will be carried out periodically.	complied
36.	Air environment	Process emissions will be scrubbed before letting it out to atmosphere.	scrubber system provided to process equipments	complied
37.	Fugitive emission control, Odour Control	Fugitive emissions over reactors, formulation areas, centrifuges, chemical loading, transfer areas, chemical storage area etc., are to be controlled through proper exhaust systems wherever required.	Adequate AHU system provided	complied

38	Fugitive emission control, Odour Control	Emphasis should be given to solvent management/solvent loss prevention.	solvent handling will be done closed loop	complied
39	Fugitive emission control, Odour Control	Stripping of effluents reduces fugitive emissions.	Stripping provision done	complied
40	Fugitive emission control, Odour Control	All reactors shall be closed and provided with primary and secondary condensers for vapor recovery	All reactors are closed and provided with primary and secondary condensers for vapor recovery	complied
41	Fugitive emission control, Odour Control	Flame arrestors, Breather valves, N2 blanketing should be provided for storage tanks in accordance with	Flame arrestors, Breather valves, N2 blanketing provided for storage tanks	complied
42	Fugitive emission control, Odour Control	requirement of MSDS and applicable rules	MSDS are provided	complied
43	Fugitive emission control, Odour Control	Closed handling systems will be provided for chemicals and solvent	Closed handling systems provided for chemicals and solvent	complied
44	Fugitive emission control, Odour Control	All open-ended intermediate vessels shall be covered securely during period of operation and storage	All open-ended intermediate vessels are provided to Cover securely during period of operation and storage	complied
45	Fugitive emission control, Odour Control	Mechanical seals will be provided for pumps/agitators for reactors handling volatile chemicals for reduction of fugitive emissions.	Mechanical seals provided to pump and Agitators	complied
46	Fugitive emission control, Odour Control	Separate storage areas for flammable and non-flammable chemicals	Separate storage areas provided for flammable and non-flammable chemicals	complied
47	Fugitive emission control, Odour Control	Leak Detection and Repair (LDAR) program for quantification and control of fugitive emissions at critical areas, tanks and vessels will be provided.	Leak Detection and Repair (LDAR) program Implemented	complied
48	Fugitive emission control, Odour Control	Workplace monitoring Plan shall be implemented for regular monitoring work place environment	Action Plan ready for work place monitoring	complied
49	Fugitive emission control, Odour Control	Provided process scrubber as per process emission requirement.	scrubber system provided	complied
50	Fugitive emission control, Odour Control	Provision of closed handling system for various chemicals and products.	closed handling system provided for various chemicals and products.	complied
51	Fugitive emission control, Odour Control	Usage of seal less pumps for transferring of toxic/hazardous chemicals.	seal less pumps used for transferring of toxic/hazardous chemicals	complied
52	Fugitive emission control, Odour Control	Provided mechanical seals for certain reactors to prevent leakage of hazardous chemicals.	Mechanical seals provided	complied
53	Fugitive emission control, Odour Control	Regular inspection and Preventive maintenance with reference to plant operations like pumps, valves, pipes.	Regular inspection and Preventive maintenance done	complied
54	Fugitive emission control, Odour Control	Online sensors / detectors with alarm provision for Hazardous gases.	Online sensors / detectors with alarm provided for Hazardous gases.	complied
55	Fugitive emission control, Odour Control	All pipelines and pipe fittings shall be well-maintained, and wear and tear shall be attended promptly	All pipelines and pipe fittings are well-maintained.	complied
56	Fugitive emission control, Odour Control	Liquid raw materials will be charged by pumping & closed loops and dosing will be done by metering system to avoid emission of odorous substances into atmosphere	Liquid raw materials charged by pumping & closed loops provided	complied
57	Fugitive emission control, Odour Control	Welded pipes to be used wherever feasible. Suitable gasket material to be used. Suitable gland packing to be used in valves.	Welded pipes ,suitable gasket material,suitable gland packing are used in valves.	complied
58	Fugitive emission control, Odour Control	Green belt shall be developed and maintained in and around the plot area. Plantation in the green belt shall be in accordance to the guidelines of CPCB	20% Green belt developed inside plant and rest will be developed out side	complied
59	Water environment	Water for the project will be from MIDC. No ground water will be extracted.	MIDC water used for project	complied
60	Water environment	Waste water (Domestic as well as trade effluent) from the project will be treated onsite and recycled within site for process requirement. There will be no discharge outside. Unit will operate as ZLD.	ETP ,MEE& ATFD followed by RO is provided to ensure ZLD condition	complied
61	Water environment	In house stage wise analysis of ETP will be carried out. External MoEFCC recognized laboratory analysis will be carried out periodically.	Inhouse LAB provided for analysis and periodically analysis will be carried out by MoEF CC recognised laboratory	complied
62	Water environment	Rain water harvesting scheme will be implemented.	Rain water harvesting scheme implemented.	complied
63	Water environment	Storm water shall be collected and adequately drained to MIDC drain. Precautionary measures will be taken to prevent contaminated run-offs from mixing in storm water.	Precautionary measures taken to prevent contaminated run-offs from mixing in storm water.	complied
64	Noise	Ear muffs and ear plugs to operators and all contract workmen	Ear muffs and ear plugs provided to all contract workmen	complied
65	Noise	Preventive and predictive maintenance of pumps, machinery, and all rotating equipment	Preventive and predictive maintenance of pumps, machinery, and all rotating equipment have done as per schedule	complied
66	Noise	Demarcating high noise areas with visual displays.	Sign Board Displayed	complied
67	Noise	Audiometric testing for all factory workers	Audiometric testing done for all factory workers	complied

68	Noise	Maintaining the greenbelt since it also helps in reducing noise	20% Green belt developed inside plant and rest will be developed out side	complied
69	Noise	Use of acoustic enclosures for boilers, and DG installation.	Acoustic enclosures provided for DG installation.	complied
70	Noise	Storm water shall be collected and adequately drained to MIDC drain.	Separate storm drainage line provided	complied
71	Land environment	Implement pre-monsoon maintenance schedule for clearing all stormwater drains and take appropriate precautionary measures to prevent contaminated run-offs from mixing in storm water by regular analysis and necessary cordoning of process.	precautionary measures sheduled	complied
72	Land environment	ETP and storage areas and all such areas which pose contamination of storm water should be provided with gariand drains going to ETP.	provided	complied
73	Land environment	Wastes will be segregated and stored in separate areas having covered roof and concrete flooring.	Hazardous waste storage yard made.	complied
74	Land environment	Distillation residue will be send for co-processing.	CHWTSDF membership acquired	complied
75	Land environment	Appropriate leachate collection system shall also be provided. Leachate shall be sent to ETP for treatment and Disposal.	Leachate Sump provided with pump arrangement.	complied
76	Land environment	Unit shall become member of nearby TSDF site for disposal of hazardous waste as per consent order.	CHWTSDF membership acquired	complied
77	Land environment	Distillation residue will be send for co-processing	CHWTSDF	complied
78	Land environment	Characteristics of each waste will be periodically checked and storage and disposal methods will be implemented suitably.	CHWTSDF	complied
79	Land environment	Explore possibilities for reducing manual handling of hazardous wastes whenever possible – by packing the waste at place of generation, minimum transport distances, transport in closed containers, minimum inventory of wastes	Packing of hazardous waste is done at place of generation	complied
80	Land environment	All bulk storage tanks will be provided with adequate dyke walls to prevent spreading of spill or leaked chemicals causing contamination of soil.	Dyke wall provided	complied
81	Land environment	Boiler ash will be collected in silos & sold to brick manufacturers and cement manufacturers to the best possible extent and balance will be sent for landfilling at TSDF site.	Ash generated will be disposed to as per consent condition	complied
82	Land environment	All bulk storage tanks will be provided with adequate dyke walls to prevent spreading of spill or leaked chemicals causing contamination of soil.	Dyke wall provided to storage tanks	complied
83	Land environment	Necessary cleanup procedures (SOPs) for the specific area will be designed and implemented.	SOP are in place	complied
84	Land environment	HAZMAT guidelines will be followed for transport of all hazardous materials. All required safety & emergency equipment & materials will be provided on the transport vehicles.	Provided on the transport vehicles.	complied
85	Sodal environment	Manpower: company employees + on contract basis during construction activities and for material movement.	Complied	complied
86	Sodal environment	Technical as well as non-technical recruitment shall be generated for skilled and unskilled manpower	Technical as well as non-technical recruitment generated for skilled and unskilled manpower as and when required	complied
87	Sodal environment	Proponent is committed to give employment to local people based on skill and academic qualification.	Complied	complied
88	Sodal environment	Project specific training shall be imparted to enhance skills and increase employment of local people	Toolbox training done on daily basis	complied
89	Sodal environment	Project will also provide opportunity for trade and commerce and development of ancillary businesses for the local people during construction phase and operational phase.	Provided as per demand	complied
90	Sodal environment	PPEs will be provided to all employees. Medical checkup of all employees will be carried out and records will be maintained.	PPEs provided and medical checkup done on regular basis	complied
91	Sodal environment	CER activities will be implemented suitably in nearby vicinity	CER activities will be implemented	complied
92	Ecological Environment	Green belt to be developed in scientific manner to give screening effect to surrounding environment from the facility.	20% Green belt developed inside plant and rest will be developed out side	complied
93	Ecological Environment	Green belt will be developed in two level- shorter plants will be planted towards inner periphery & taller plants will be planted towards outer periphery	20% Green belt developed inside plant and rest will be developed out side	complied
94	Ecological Environment	Green belt will be composed of native species. Species will be suitable for agro-climatic zone. Evergreen & quick growing species will be selected.	20% Green belt developed inside plant and rest will be developed out side	complied
95	Occupational health, safety and management	The materials involved are of toxic and flammable nature.	Training for handling toxic and flammable chemicals given to all concern person	complied
96	Occupational health, safety and management	Proper training to employees in handling chemicals mentioned by hiring trained personnel well versed in handling such chemicals.	Toolbox training done on daily basis	complied
97	Occupational health, safety and management	Preventive measures: Chilled water circulation, Flame proof fittings, Tank level control on DCS, Earthing and Bonding, Tank insulated with Urethane puff insulation, SOP for tanker unloading, Flame arrester provision on tank Top, Lightning arrester provided near to tank, Gas Leak Detectors.	Chilled water circulation, Flame proof fittings, Tank level control on DCS, Earthing and Bonding, Tank insulated with Urethane puff insulation, SOP for tanker unloading, Flame arrester provision on tank Top, and Lightning arrester near to tank provided	complied
98	Occupational health, safety and management	Suggested control Measures :- Fire hydrant system, Portable Fire Extinguishers, Foam Tender, Water Hydrant and Monitor, Self-Contained Breathing Apparatus, Flame proof electricals, Dyke wall for containment, Shower & Eye Washer near Tank Farm Area	Fire hydrant system, Portable Fire Extinguishers, Foam Trolley, Water Hydrant, Self-Contained Breathing Apparatus, Flame proof electricals, Dyke wall for containment, and Eye wash Shower provided	complied

99	Occupational health, safety and management	Control of Exposure levels of hazardous chemicals: All measures taken for control of fugitive emissions of HC vapors and fugitive dust shall also ensure that the permissible exposure levels are not exceeded. Gas detectors and sensors shall also be installed at critical locations for early detection. Odour control plan shall also control exposure levels. Workplace monitoring shall be carried out.	1. Gas detectors and sensors installed at critical locations for early detection 2. work place monitoring carried out	complied
100	Occupational health, safety and management	Occupational health center will be established as per factory rules.	Occupational health center established as per factory rules at site	complied
101	Occupational health, safety and management	OHC shall have necessary equipment and arrangements for first-aid treatments in compliance with the requirements of Factories Act and Factories Rules.	OHC having necessary equipment and arrangements for first-aid treatments	complied
102	Occupational health, safety and management	Antidotes for major chemicals handled by the unit will be identified. These shall be made available at OHC.	Antidotes for major chemicals handled by the unit are identified, and available at OHC.	complied
103	Occupational health, safety and management	Onsite medical treatment and periodic health examination will be conducted.	Periodic health examination is conducted periodically	complied
104	Occupational health, safety and management	Medical examination practice: Pre-employment medical check-up of all employees and contract labor shall be carried out by FMO and records shall be maintained.	Pre-employment medical check-up of all employees and contract labor carried out and record maintained	complied
105	Occupational health, safety and management	Maintaining health status by organizing health check-up camps.	health check up camps are being organised	complied
106	Occupational health, safety and management	Hazards shall be managed/control by implementation of safe work procedures, risk/hazard control /prevention measures and provision of PPEs for all employees as followed at the existing adjacent plants.	Safe work procedures, risk/hazard control /prevention measures are in place and PPEs are provided for all workers	complied
107	Occupational health, safety and management	The plant sections shall be built with proper safety features and safety equipment and devices at all required locations as per good engineering practice and code.	safety equipment and devices provided as per good engineering practice and code	complied
108	Occupational health, safety and management	Safety and health of workers and all contract workmen shall be ensured through proper SOPs, safety devices, fail-safe instrumentation, interlocks, sound equipment, emergency control systems and procedures.	Safety and health of workers and all contract workmen is ensured through proper SOPs, safety devices, fail-safe instrumentation, interlocks, sound equipment, emergency control systems and procedures are available .Mockdrills conducted periodically .	complied
109	Disaster Management Plan	Onsite emergency management plan will be constituted during project execution stage at site, which will be communicated to District Authority for inclusion in DMP.	On site Emergency plan prepared	complied

FORMAT NO. EN/FM-159/02
SOP REFERENCE: ENS/153

P&ID OF R-801 FOR BLOCK-V.

PREPARED BY ENGINEERING

NAME:
SIGN & DATE:

CHECKED BY ENGINEERING

NAME:
SIGN & DATE:

CHECKED BY PROCESS ENG'G.

NAME:
SIGN & DATE:

VERIFIED BY PRODUCTION

NAME:
SIGN & DATE:

REVIEWED BY Q.A.

NAME:
SIGN & DATE:

APPROVED BY Q.A.

NAME:
SIGN & DATE:

REVISED AS PER CC. NO.
REVISED PER 05/03/02

This drawing is property of Aarti Pharmalabs Ltd. Unauthorised disclosure to any 3rd party is prohibited & is punishable.

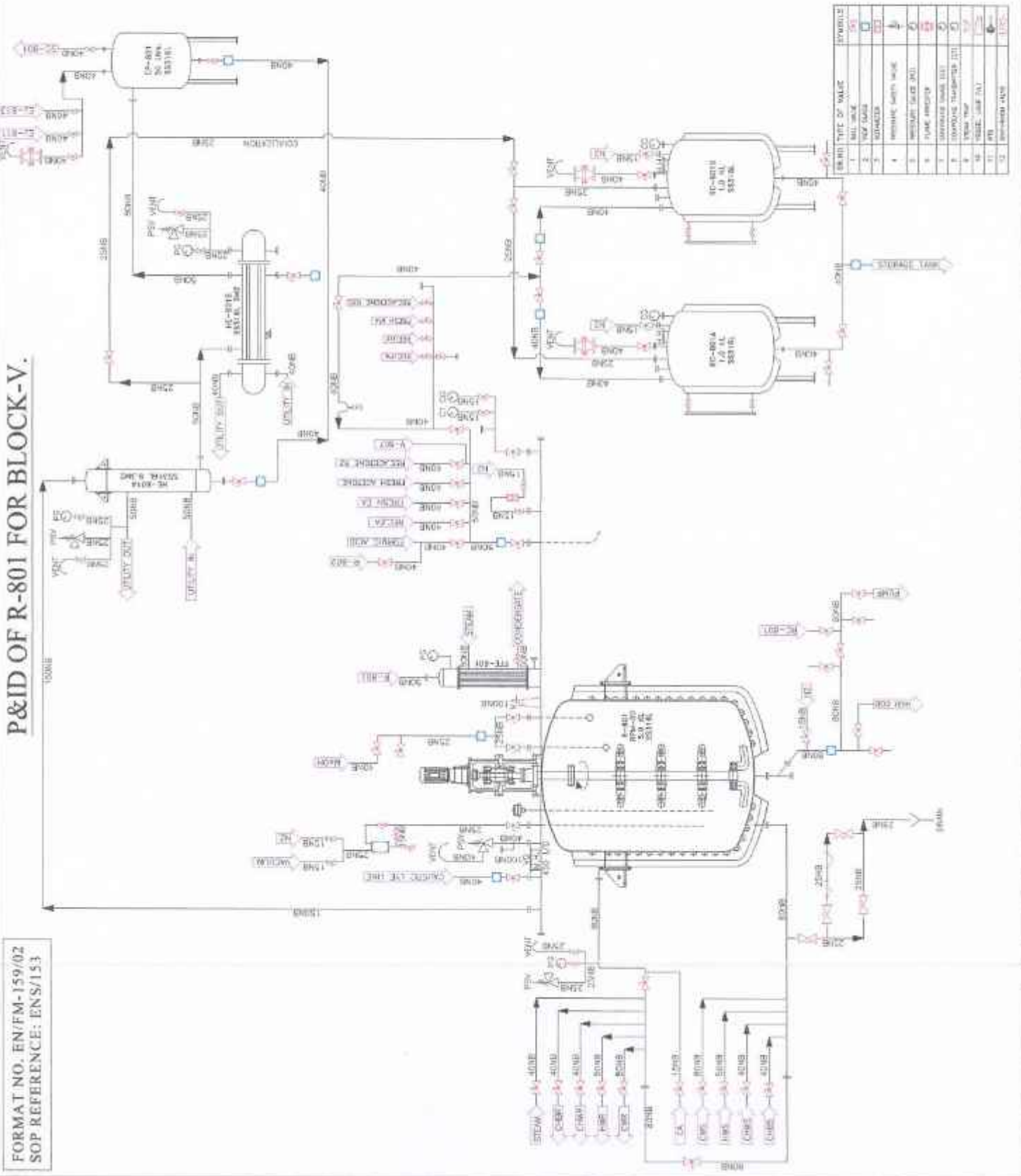


AARTI PHARMALABS LIMITED

UNIT-IV, PLOT NO. E-50, 50/1 & 50/1,
MIDC, TARAPUR, TAL. & DIST. - PALGHAR,
PIN-401506, MAHARASHTRA INDIA.

TITLE: P&ID OF R-801 FOR BLOCK-V.

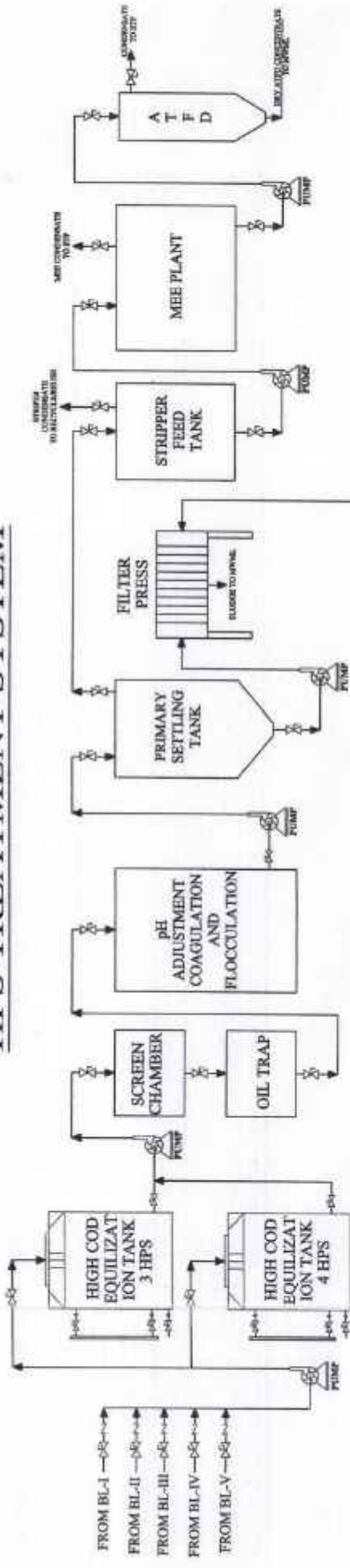
DWG. NO. APL/PA/IDV9-861/02
REV. BY: SAJAYSHIRDI
DATE: 04/01/02



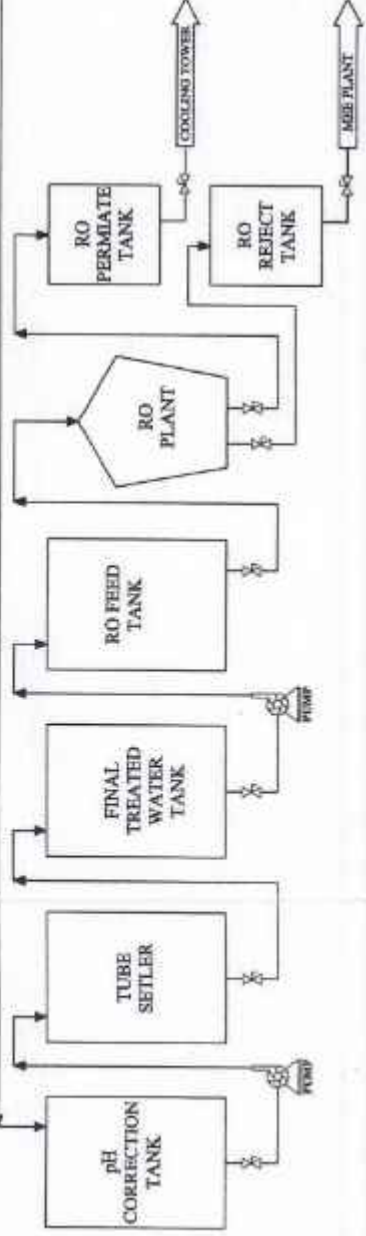
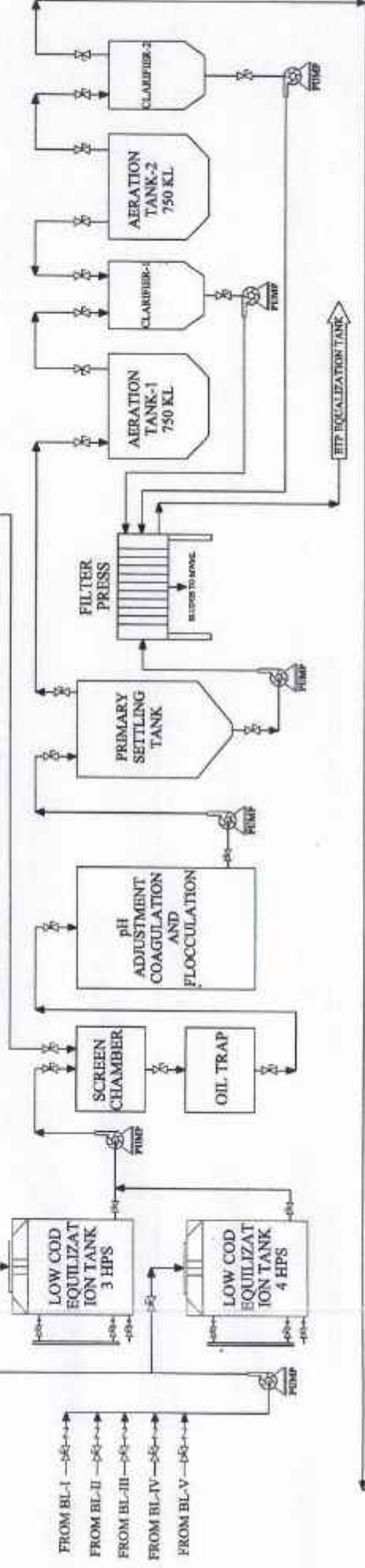
SYMBOL	TYPE OF VALUE
1	VALVE
2	PIPE
3	CONDENSER
4	REACTOR
5	HEATER
6	COOLER
7	STORAGE TANK
8	CONDENSER
9	REACTOR
10	CONDENSER
11	CONDENSER
12	CONDENSER

Annexure - IX

HPS TREATMENT SYSTEM



LPS TREATMENT SYSTEM



PLANT CAPACITY:-
 ETP PLANT -100 KLD
 RO PLANT -200 KLD
 MEE PLANT -160 KLD
 MVRE PLANT -70 KLD

PREPARED BY ENGINEERING NAME: Santhan Baniya SIGN & DATE:	CHECKED BY HSE NAME: H.P. Prasad SIGN & DATE:	APPROVED BY HSE NAME: S. V. Prasad SIGN & DATE:
---	---	---

Effluent Treatment & Disposal

ETP scheme description,

Effluent Treatment scheme will be as below-

- High COD / Low TDS Effluent from process along with washing will be collected in effluent collection tank & treatment through bio-degradation treatment.
- High COD / High TDS effluent fro process will be collected in separated tank and it will be send to stripper followed by MEE, ATFD & MVR.
- Treated effluent from ETP and utility water (Cooling water and boiler blow down) will be treated at RO unit.
- Spent solvent will be sent for reprocessing.
- Bio sludge from ETP process will be sent for reprocessing.
- Salt recovered will be sent to CHWTSDF for disposal.
- Bio sludge from ETP process will be sent to CHWTSDF for disposal.
- Permeate of RO unit will be utilized in cooling tower as make up and make to hot.
- Domestic sewage will be treated in independent STP.





APL-IV/TR/24/03

Date: 15/01/2024.

To,

Fire Officer
MIDC, Tarapur

Subject: - Submission of Form B for the period 1st July 2023 to 31st Dec- 2023

Dear Sir,

With reference to above mentioned subject , We are submitting the following documents for your ready reference .

Enclosed :-

- 3) Form B with Attachment.
- 4) Photocopy of Final No objection Certificate. MIDC /Fire /C-28982 dt 07/07/2022

Thanking You,

Yours faithfully,

For Aarti Pharmalabs Ltd

(Formerly Known as Aarti Industries Ltd)



Resonance
Authorized Signatory

*Note:- Form B. Only entry
online Intert.
tryed but not done
Johny*



AARTI PHARMALABS LIMITED

www.aartipharmalabs.com | CIN : U24100GJ2019PLC110964 | Email : info@aartipharmalabs.com

Factory : Unit - IV, Plot No. E - 58/1, M.I.D.C., Tarapur, Taluka & District - Palghar, PIN 401 506, Maharashtra, INDIA, T : +91 89830 35452 / +91 252 568 2100
Admin Office : 204, Ujyog Kshetra, 2nd Floor, Mulund - Goregaon Link Road, Mulund (W), Mumbai, PIN - 400 080, Maharashtra, INDIA, T : +91 22 67976666 | F : +91 22 25653234
Regd. Office : Plot No. 22-C/1 & 22-C/2, 1st Phase, G.I.D.C., Vapi 396 195, District - Valsad, Gujarat, INDIA T : +91 260 2400467, +91 99099 94955



No: PI/AIL-E-59-1/01/2023-24

FORM –B

[AS PER SEE SECTION 3 (3) AND RULE 4 (2)

SIX MONTH CERTIFICATE TO BE GIVEN IN EVERY JANUARY & JULY BY THE OWNER OR THE OCCUPIER FOR COMPLIANCE OF THE FIRE PREVENTION AND LIFE SAFETY MEASURES.

CERTIFICATE

Certified that i/we have carried out inspection of the fire prevention and life safety measures installed in the following building premises namely:-

**M/s. AARTI INDUSTRIES LIMITED,
Plot No : E-59/1, MIDC Industrial Area,
Tarapur, Boisar, Tal – Dist: Palghar
State: Maharashtra, Pin -401506**

We further certified that these installation in the above mentioned building are maintained in good repair and efficient conditions during the period 1st July 2023 – 31st December 2023 as required under the provisions of the Maharashtra Fire Prevention and Life Safety Measures Act, (Mah.III of 2009). The details of the inspection of installation carried out by me/us are mentioned in the report appended herewith.

Varghese P.V

Digitally signed by Varghese. P.

Date: 2024.01.27 11:26:30
+05'30'

Signature and Address of the Licensed Agency
Office No.1, Gautam Centre, Kopri, Thane
License No.- MFS/LA/RF-154/RD-145 Dt 11.03.2023

Place : Thane
Date : 27.01.2024
Encl: Annexure



Fire Fighting System

No: PI/AIL-E-59-1/01/2023-24

1. Pump House & Pump Details : Annexure -A

S.No	Location	Type	Capacity
1	Utility Area	RCC	900M3

2. Pump House Equipment Details :

S.No.	Location	Capacity	Head	Motor Type
1	Pump House (Jockey pump)	20M3/Hrs	88M	CF
2	Pump House Sprinkler (Jockey pump)	20M3/Hrs	88M	CF
3	Pump House (Main Pump)	350M3/Hrs	88M	CF
4	Pump House Sprinkler (Main Pump)	273M3/Hrs	88M	CF
5	Pump House (Diesel pump)	350M3/Hrs	88M	CF

3. Fire Hydrant Equipment Details : Annexure -B

No.	Description	Type	Qty	Location
1	Single Hydrant Posts	Singal	18	All Plant
2	Fire Escape Hydrants (Riser)	Singal	28	All Block
3	Foam Monitor	Fixed	2	Block Area
4	Hose Box - (Single Door)	FRP/MS	46	All Plant
5	Hose Reel With Hose Pipe	Swing	28	All Plant
6	Hydrant Hose (15 Mtr. Length)	Type B	92	All Plant
7	Short Branch Nozzle	Jet Type	46	All Plant
8	Triple Purpose Nozzle	N/A	0	N/A
9	Foam solution (AFFF-3%)	20 lit can	500lit	Tank farm area
10	Manual Call Point	Normal	50	All Block
11	Smoke Detection	Standard	650	All Block
12	Heat Detector	Standard		All Block
13	Sprinkler Head	68deg	2002	All Plant
14	Beam Detector	N/A	0	N/A
15	Fire Bucket	GI	40	All Plant

The above said Fire Protection & Detection equipment installed are in good working condition

For M/s Palamoottil Infrastructure

Varghese. P. V

Digitally signed by Varghese. P. V

Date: 2024.01.27 11:30:31 +05'30'



NAME OF THE FACTORY : AARTI INDUSTRIES LIMITED,

No: PI/AII-E-59-1/01/2023-24

ADDRESS

: E-59/1, MIDC, Tarapur industrial Area, Boisar, Dist Thane, Maharashtra-401506

Fire Extinguisher Summary Report - Annexure - C

S.No	Location/Blocks	CA 2 Kg	CA 4 Kg	CA 6 Kg	CO2 2 Kg	CO2 3 Kg	CO2 4.5 Kg	CO2 9 Kg	CO2 22.5 kg	M/Fm m 9 Lit	M/Fm m 50 Lit	ABC 2 Kg	ABC 4 Kg	ABC 6 Kg	ABC 9 Kg	ABC 25 Kg	Deposite Total
1	Ground Floor	0	2	0	0	0	2	0	0	0	3	0	0	15	0	1	23
2	First Floor	0	9	0	0	0	2	0	0	0	6	0	0	16	0	0	33
3	Second Floor	0	10	0	0	0	3	0	0	0	6	0	0	16	0	0	35
4	Third Floor	0	10	0	0	0	3	0	0	0	6	0	0	16	0	0	35
5	Fourth Floor	0	2	0	0	0	4	3	0	0	0	0	0	12	0	0	21
6	Fifth Floor (Terrace)	0	0	0	0	0	1	0	0	0	0	0	0	1	0	0	2
7	Utility Building	0	0	0	0	0	8	3	2	0	0	0	0	14	0	0	27
8	Hydrant Pump House Area	0	0	0	0	0	4	1	0	0	0	0	0	2	0	0	7
9	M/E Building M/E And ETP	0	0	0	0	0	5	0	0	0	0	0	0	5	0	0	10
10	ETP Building/dmg	0	0	0	0	0	8	1	0	1	0	0	0	9	0	0	19
11	HT Yard	0	0	0	0	0	2	0	0	0	0	0	0	1	0	2	5
12	Surrounding Area	0	0	0	0	0	2	0	0	1	3	0	0	1	0	1	8
13	D/G And Transformer Area	0	0	0	0	0	1	1	0	0	0	0	0	1	0	1	4
14	Solvent Yard	0	0	0	0	0	0	0	0	2	2	0	0	0	0	1	5
15	Office Area	0	0	0	0	0	0	0	0	0	0	1	0	0	0	0	3
16	Block No.03 APL Building East Side	0	0	0	0	0	6	0	0	0	0	0	0	6	0	0	12
17	Spare Room Hydrant Pump House G/F	0	0	0	0	0	3	0	0	9	2	1	0	6	1	0	22
Total Qty		0	33	0	0	0	54	9	2	13	28	4	0	121	1	6	271

The above said Fire Protection & Detection equipment installed are in good working condition

For M/s Palamoottil Infrastructure

Varghese. P. V

Digitally signed by Varghese. P. V

Date: 2024.01.27 11:31:09 +05'30'

MAHARASHTRA INDUSTRIAL DEVELOPMENT CORPORATION
(A Government of Maharashtra Undertaking)

HEAD OFFICE : "Udyog Sarthi", Mahakali Caves Road,
Andheri (E), Mumbai – 400 093.
Tele: (022) 26870052/54/27/73 Fax: (022) 26871587
PRINCIPAL OFFICE : 4,4 (A), 12th Floor, World Trade Centre, Complex-1,
Cuffe Parade, Mumbai – 400 005
Tele: (022) 22151451/52/53 Fax : (022) 22188203



No: MIDC/FIRE/C-28982
Date: 07/07/2022

M/s. Aarti Industries Limited,
Plot No. E-59/1, MIDC,
Tarapur Indl. Area.
Dist – Palghar.

Sub: Grant of "Part Final No Objection Certificate" for your construction on Plot No. E-59/1, at MIDC, Tarapur Indl. Area, Dist. Palghar.

Ref: i) This office "Provisional NOC" No. MIDC/Fire/D-90566, Dt.29/11/2019.
ii) Your application vide no. SWC/4/25/20220704/844442.

Dear Sir,

With reference to the (ii) above, a representative of this office visited the said company on 04/07/2022 at the above-mentioned address for inspection of firefighting arrangements provided by you. Since the firefighting arrangements provided by you were found in working conditions this office is issuing a "Part Final No-Objection Certificate" for your following built up area:

Building	Proposed FSI Area	Double Ht. FSI Area	Terrace	Stair	Lift
	Ind.	Ind.			
3 (PUMP ROOM)	84.00	0.00	0.00	0.00	0.00
1 (BUILDING)	7132.84	2966.71	890.38	618.06	118.91
Fourth Floor	655.38	0.00	689.07	39.88	17.18
Mezzanine @ 3 Floor	104.61	0.00	0.00	34.24	0.00
Third Floor	1321.38	666.19	201.31	118.87	25.43
Mezzanine @ 2 Floor	104.61	0.00	0.00	34.24	0.00
Second Floor	1522.69	766.84	0.00	118.87	25.43
Mezzanine @ 1 Floor	104.61	0.00	0.00	34.24	0.00
First Floor	1522.69	766.84	0.00	118.87	25.43
Ground Floor	1796.88	766.84	0.00	118.87	25.43
Grand Total	7216.84	2966.71	890.38	618.06	118.91

- The occupant load of above buildings should not exceed in any case as prescribed in Table – 3 of National Building Code- 2016-Part IV.

As per the provision of Section 3, Sub Section 3 of Maharashtra Fire Prevention and Life Safety Measures Act, 2006, it is the sole responsibility of Owner or Occupier as the case may be, that he/she shall furnish to Chief Fire Officer & Fire Advisor, MIDC or local Fire Station Officer a Certificate in a 'Form B' issued by License Agency twice a year in the Month of January And July regarding maintenance of fire prevention and life safety measures and systems in good repair and efficient working condition.

Following Statutory Provisions under Maharashtra Fire Prevention and Life Safety Measures Act, 2006, should be adhered.

- Under Section 3 of "Maharashtra Fire Prevention and Life Safety Measures Act, 2006" (hereinafter referred to as "said Act"). The applicant (developer, owner, occupier by whatever name called) shall comply with all the Fire and Life Safety measures adhering to National Building Code of India, 2016 and as amended from time to time failing which it shall be treated as a violation of the said Act.
- It is presumed that you have completed the work adhering to the provisions under

maintenance of fire prevention and life safety measure in good repair and efficient condition as specified in sub-section (1).

4. Under sub section (4) of Section 3, no person shall tamper with, alter, remove or cause any injury or damage to any fire prevention and life safety equipment installed in any such building or part thereof or instigate any other person to do so.
5. The remaining part of the building / floors of the buildings which are not covered in this Part Final Fire approval shall not be occupied without obtaining Final Fire approval from this department and Occupation Certificate from concern Special Planning Authority of MIDC, failing which you will be solely held responsible for the consequences, if any which may please be noted.

The Fire Extinguishers and other fire protection systems installed by you in the premises shall be well maintained & shall be kept in tip-top working condition at all the time. If the said system is not maintained, retrenched, this N.O.C. will stand cancelled without any notice & you will be fully responsible to loss of life or property, if any, which may please be noted.

Details of "Fire Protection Fund Fees" are as follows:

	Total Amount	Advance "Fire Protection Fund fees" paid by M/s. Aarti Industries Ltd. vide receipt no. : GL19190154 Dt. 24-07-2018	Balance "Fire Protection Fund fees" recovered by SPA receipt no.: GL20455987 Dt. 06-12-2019
(i)	(ii)	(iii)	(iv)
Initial "Fire Protection Fund fees"	Rs. 1,84,177.00 /-	Rs. 75,000.00/-	Rs. 1,09,177.00/-
Additional "Fire Protection Fund fees"	Rs. 9,38,295.70 /-	Rs. 0.00/-	Rs. 9,38,295.70 /-
Total	Rs. 11,22,472.70 /-	Rs. 75,000.00/-	Rs. 10,47,472.70 /-

The conditions mentioned in the "Provisional No-Objection Certificate" will remain unchanged. The undersigned reserves right to amend any additional recommendations deemed fit during the stage wise inspection due to the statutory provisions amended from time to time and in the interest of the protection of the company. If any future expansion or change the activity or transfer or subletting of plots NOC from this office is essential.

Thanking You,

Yours faithfully,

Santosh
S Warick

Digitally signed
by Santosh S
Warick
Date: 2022.07.07
13:28:48 +05'30'

(S. S. Warick)
Chief Fire Officer & Fire Advisor,
MIDC, Mumbai-400 093.

Copy to the Deputy Engineer, Sub Division, Tarapur (SPA) for information please.

FRANK FIRE & SAFETY SERVICES

AN ISO 9001 : 2008 CERTIFIED COMPANY

OFFICE :- A-15/B, KRISHNA GOPAL BLDG, KRISHNA NAGAR, BOISAR -401501 DIST-PALGHAR, MAHARASHTRA.
 Mobile No.+91-00-8806863686, 7768852022
 E-MAIL ; frankfiresafety@yahoo.com, frankfire.india@gmail.com,
 Visit Us :- www.frankfires.com
 WORK :- SARASWATI APPT, "A" WING, SHOP NO.005, KHERA PADA,
 BOISAR, T- PALGHAR, MH-401501



Servicing Date : 05.03.24 To 06.03.2024

NAME OF THE FACTORY : AARTI PHARMALABS LIMITED

ADDRESS : E-59, MIDC, Tarapur Industrial Area, Boisar, Dist Thane, Maharashtra-401506

FIRE EXTINGUISHER SERVICING REPORT _MARCH- 2024

S.No	Code	Floor Level	Section	Location / Area	SR.NO	M/Year	Company Name	Type	Capacity	HPT On	HPT Due On	Refill On	Refill Due On	Observation	Remark
Ground Floor															
1	ABC/25/01	Ground	Warehouse	Material Entry & Exit Area	1.01	Jan-22	Firemax	ABC	25 Kg	15.07.2022	14.07.2025	17.07.2022	16.07.2025	Nil	Ok
2	ABC/06/112			Passage Area Front Side	169.09	Apr-22	Firemax	ABC	6 Kg	15.07.2022	14.07.2025	17.07.2022	16.07.2025	Nil	Ok
3	ABC/06/113			Passage Area Towards Garden	194.02	Apr-22	Firemax	ABC	6 Kg	02.04.2022	01.04.2025	04.04.2022	03.04.2025	Nil	Ok
4	ABC/06/114			F.G Quarantine Room	189.02	Apr-22	Firemax	ABC	6 Kg	02.04.2022	01.04.2025	04.04.2022	03.04.2025	Nil	Ok
5	ABC/06/115			F.G Quarantine Room	42.01	Feb-22	Firemax	ABC	6 Kg	16.02.2022	25.02.2025	28.02.2022	27.02.2025	Nil	Ok
6	CA/04/01			Outside of Wash Room Area	18.01	May-22	Firemax	Class Agent	4 Kg	10.05.2022	09.05.2025	12.05.2022	11.05.2025	Nil	Ok
7	CA/04/02			Repacking F.G Store Room	10.01	May-22	Firemax	Class Agent	4 Kg	10.05.2022	09.05.2025	12.05.2022	11.05.2025	Nil	Ok
8	CO2/4.3/75			MCC And AHU Room Panel Room -3	Inside MCC Room Near Door	A-23355	Feb-22	Firemax	CO2	4.5 Kg	Feb-22	Feb-27	28.02.2022	27.02.2027	Nil
9	ABC/06/116		Inside MCC Room Near Door		63.01	Feb-22	Firemax	ABC	6 Kg	26.02.2022	25.02.2025	28.02.2022	27.02.2025	Nil	Ok
10	CO2/4.3/76		Inside MCC Room Near VUE-804		A.18868	Feb-22	Firemax	CO2	4.5 Kg	Feb-22	Feb-27	28.02.2022	27.02.2027	Nil	Ok
11	ABC/06/117		Inside MCC Room Near VUE-804		27.01	Feb-22	Firemax	ABC	6 Kg	26.02.2022	25.02.2025	28.02.2022	27.02.2025	Nil	Ok
12	ABC/06/118		Gents Lockers Room	Gents Lockers Room	40.01	Feb-22	Firemax	ABC	6 Kg	26.02.2022	25.02.2025	28.02.2022	27.02.2025	Nil	Ok
13	ABC/06/119		Holst Area	Front Of Holst-802	203.09	Jul-22	Firemax	ABC	6 Kg	02.07.2022	01.07.2025	04.07.2022	03.07.2025	Nil	Ok
14	ABC/06/120		Production Area	Near Entry Door Of Production	61.01	Feb-22	Firemax	ABC	6 Kg	26.02.2022	25.02.2025	28.02.2022	27.02.2025	Nil	Ok
15	ABC/06/142		Intermediate Level -4 Area	Inside Document Room	59.01	Feb-22	Firemax	ABC	6 Kg	26.02.2022	25.02.2025	28.02.2022	27.02.2025	Nil	Ok
16	MF/50/11			Near R-804	21.01	May-22	Firemax	M/Foam	50 Ltr	10.05.2022	09.05.2024	12.05.2022	11.05.2024	Nil	Ok
17	ABC/06/121			Near R-813	38.01	Feb-22	Firemax	ABC	6 Kg	26.02.2022	25.02.2025	28.02.2022	27.02.2025	Nil	Ok
18	MF/50/12			Near R-815	9.01	May-22	Firemax	M/Foam	50 Ltr	10.05.2022	09.05.2024	12.05.2022	11.05.2024	Nil	Ok
19	ABC/06/122			Near Electric Switch Box/ Emergency Exit	108.03	Apr-22	Firemax	ABC	6 Kg	02.04.2022	01.04.2025	04.04.2022	03.04.2025	Nil	Ok
20	MF/50/13			Near Electric Switch Box/ Emergency Exit	37.04	May-22	Firemax	M/Foam	50 Ltr	10.05.2022	09.05.2024	12.05.2022	11.05.2024	Nil	Ok
21	ABC/06/123		Utility Service Area	Near MLT-806	51.01	Feb-22	Firemax	ABC	6 Kg	26.02.2022	25.02.2025	28.02.2022	27.02.2025	Nil	Ok
22	ABC/06/124			Near MLT-809	38.01	Feb-22	Firemax	ABC	6 Kg	26.02.2022	25.02.2025	28.02.2022	27.02.2025	Nil	Ok
23	ABC/06/125			Near AHU	69.01	Feb-22	Firemax	ABC	6 Kg	26.02.2022	25.02.2025	28.02.2022	27.02.2025	Nil	Ok
First Floor															
24	ABC/06/126	First Floor	Entrance Corridor Area	Front Of Holst-802	46.01	Feb-22	Firemax	ABC	6 Kg	26.02.2022	25.02.2025	28.02.2022	27.02.2025	Nil	Ok
25	CA/04/03			Front Of Holst	22.01	May-22	Firemax	Class Agent	4 Kg	10.05.2022	09.05.2025	12.05.2022	11.05.2025	Nil	Ok
26	ABC/06/127		Corridor Passage Area	Front Of Packing Material Area	72.01	Feb-22	Firemax	ABC	6 Kg	26.02.2022	25.02.2025	28.02.2022	27.02.2025	Nil	Ok
27	CA/04/04			Near PB-806	7.01	May-22	Firemax	Class Agent	4 Kg	10.05.2022	09.05.2025	12.05.2022	11.05.2025	Nil	Ok
28	ABC/06/128		Inside Intermediate Area	Near Switch Button	65.01	Feb-22	Firemax	ABC	6 Kg	26.02.2022	25.02.2025	28.02.2022	27.02.2025	Nil	Ok
29	MF/50/14			Near Switch Button	15.01	May-22	Firemax	M/Foam	50 Ltr	10.05.2022	09.05.2024	12.05.2022	11.05.2024	Nil	Ok
30	ABC/06/129			Near R-813	35.01	Feb-22	Firemax	ABC	6 Kg	26.02.2022	25.02.2025	28.02.2022	27.02.2025	Nil	Ok
31	MF/50/15			Near R-813	18.01	May-22	Firemax	M/Foam	50 Ltr	10.05.2022	09.05.2024	12.05.2022	11.05.2024	Nil	Ok
32	ABC/06/130			Near R-804	64.01	Feb-22	Firemax	ABC	6 Kg	26.02.2022	25.02.2025	28.02.2022	27.02.2025	Nil	Ok
33	MF/50/16			Near R-804	17.01	May-22	Firemax	M/Foam	50 Ltr	10.05.2022	09.05.2024	12.05.2022	11.05.2024	Nil	Ok
34	ABC/06/131		Utility And AHU Service Area	Near AHU-811	45.01	Feb-22	Firemax	ABC	6 Kg	26.02.2022	25.02.2025	28.02.2022	27.02.2025	Nil	Ok
35	ABC/06/132			Near VUE-807	55.01	Aug-22	Firemax	ABC	6 Kg	17.08.2022	16.08.2025	19.08.2022	18.08.2025	Nil	Ok
36	ABC/06/133			Near AHU-808	57.01	Feb-22	Firemax	ABC	6 Kg	26.02.2022	25.02.2025	28.02.2022	27.02.2025	Nil	Ok
37	ABC/06/134		SRP Area	N/A	209.01	Aug-22	Firemax	ABC	6 Kg	17.08.2022	16.08.2025	19.08.2022	18.08.2025	Nil	Ok
38	ABC/06/135			N/A	36.01	Feb-22	Firemax	ABC	6 Kg	26.02.2022	25.02.2025	28.02.2022	27.02.2025	Nil	Ok
39	ABC/06/136		AHU Service Area East Side	Near Staircase Door	24.01	Dec-22	Firemax	ABC	6 Kg	12.12.2022	11.12.2025	14.12.2022	13.12.2025	Nil	Ok
40	CA/04/05			Near Staircase Door	1.01	May-22	Firemax	Class Agent	4 Kg	10.05.2022	09.05.2025	12.05.2022	11.05.2025	Nil	Ok
41	ABC/06/137			Near Dust Collector	70.01	Feb-22	Firemax	ABC	6 Kg	26.02.2022	25.02.2025	28.02.2022	27.02.2025	Nil	Ok
42	CO2/4.3/78			Near Staircase Door	A-23369	Feb-22	Firemax	CO2	4.5 Kg	Feb-22	Feb-27	28.02.2022	27.02.2027	Nil	Ok



43	ABC/06/138	AHU Service Area	Near AHU-806	44.02	Feb-22	Firemax	ABC	6 Kg	26.02.2022	25.02.2025	28.02.2022	27.02.2025	Nil	Ok
44	CO2/4.5/77		Near AHU-806	A-22858	Feb-22	Firemax	CO2	4.5 Kg	Feb-22	Feb-27	28.02.2022	27.02.2027	Nil	Ok
45	CA/04/06	Level-III Area, Packing Material III	Sampling And Packing Room-10	16.01	May-22	Firemax	Class Agent	4 Kg	10.05.2022	09.05.2025	12.05.2022	11.05.2025	Nil	Ok
46	CA/04/07		Near Accessories Cleaning Room	26.01	May-22	Firemax	Class Agent	4 Kg	10.05.2022	09.05.2025	12.05.2022	11.05.2025	Nil	Ok
47	CA/04/08		Max/Material Entry Passage Near Accessories Cleaning Room	20.01	May-22	Firemax	Class Agent	4 Kg	10.05.2022	09.05.2025	12.05.2022	11.05.2025	Nil	Ok
48	CA/04/09		Entry Of Sampling And Packing Room	11.01	May-22	Firemax	Class Agent	4 Kg	10.05.2022	09.05.2025	12.05.2022	11.05.2025	Nil	Ok
49	CA/04/10		Sampling And Packing Room	13.01	May-22	Firemax	Class Agent	4 Kg	10.05.2022	09.05.2025	12.05.2022	11.05.2025	Nil	Ok
50	CA/04/11		Near Accessories Cleaning Room	24.01	May-22	Firemax	Class Agent	4 Kg	10.05.2022	09.05.2025	12.05.2022	11.05.2025	Nil	Ok
51	MF/50/17	Mezzanine Floor	Near HE-804 (B)	23.01	May-22	Firemax	M/Foam	50 Ltr	10.05.2022	09.05.2024	12.05.2022	11.05.2024	Nil	Ok
52	ABC/06/139		Near HE-805 (B)	47.01	Feb-22	Firemax	ABC	6 Kg	26.02.2022	25.02.2025	28.02.2022	27.02.2025	Nil	Ok
53	ABC/06/140		Near Utility Header	48.01	Feb-22	Firemax	ABC	6 Kg	26.02.2022	25.02.2025	28.02.2022	27.02.2025	Nil	Ok
54	MF/50/18		Near Utility Header	11.01	May-22	Firemax	M/Foam	50 Ltr	10.05.2022	09.05.2024	12.05.2022	11.05.2024	Nil	Ok
55	ABC/06/141		Near Staircase	60.01	Feb-22	Firemax	ABC	6 Kg	26.02.2022	25.02.2025	28.02.2022	27.02.2025	Nil	Ok
56	MF/50/19		Near Staircase	14.01	May-22	Firemax	M/Foam	50 Ltr	10.05.2022	09.05.2024	12.05.2022	11.05.2024	Nil	Ok

Second Floor

57	ABC/06/143	Entrance Corridor	Front Of Hoist-802	34.01	Feb-22	Firemax	ABC	6 Kg	26.02.2022	25.02.2025	28.02.2022	27.02.2025	Nil	Ok
58	CA/04/12		Front Of Hoist-802	14.01	May-22	Firemax	Class Agent	4 Kg	10.05.2022	09.05.2025	12.05.2022	11.05.2025	Nil	Ok
59	ABC/06/144	Corridor Passage Area	Front Of PB-809	180.01	Mar-22	Firemax	ABC	6 Kg	15.02.2024	14.02.2027	17.02.2024	16.02.2027	Nil	Ok
60	CA/04/13		Near DC5 Room	13.01	May-22	Firemax	Class Agent	4 Kg	10.05.2022	09.05.2025	12.05.2022	11.05.2025	Nil	Ok
61	ABC/06/145	Intermediate Area	Near R-810	33.01	Feb-22	Firemax	ABC	6 Kg	26.02.2022	25.02.2025	28.02.2022	27.02.2025	Nil	Ok
62	MF/50/20		Near R-810	20.01	May-22	Firemax	M/Foam	50 Ltr	10.05.2022	09.05.2024	12.05.2022	11.05.2024	Nil	Ok
63	MF/50/21		Near R-811	22.01	May-22	Firemax	M/Foam	50 Ltr	10.05.2022	09.05.2024	12.05.2022	11.05.2024	Nil	Ok
64	ABC/06/146		Near R-811	62.01	Feb-22	Firemax	ABC	6 Kg	26.02.2022	25.02.2025	28.02.2022	27.02.2025	Nil	Ok
65	MF/50/22		Near R-802	29.01	Mar-22	Firemax	M/Foam	50 Ltr	28.02.2023	27.02.2025	01.03.2023	01.03.2025	Nil	Ok
66	ABC/06/147		Near R-802	73.01	Mar-22	Firemax	ABC	6 Kg	28.02.2023	27.02.2025	01.03.2023	01.03.2025	Nil	Ok
67	ABC/06/148	Mezzanine Floor	Near HE-810 A & B	0.01	Feb-22	Firemax	ABC	6 Kg	26.02.2022	25.02.2025	28.02.2022	27.02.2025	Nil	Ok
68	MF/50/23		Near HE-810 A & B	27.01	May-22	Firemax	M/Foam	50 Ltr	10.05.2022	09.05.2024	12.05.2022	11.05.2024	Nil	Ok
69	ABC/06/149		Near RC-801	87.01	Feb-22	Firemax	ABC	6 Kg	26.02.2022	25.02.2025	28.02.2022	27.02.2025	Nil	Ok
70	MF/50/24		Near RC-801	14.01	May-22	Firemax	M/Foam	50 Ltr	10.05.2022	09.05.2024	12.05.2022	11.05.2024	Nil	Ok
71	ABC/06/150		Near CP-R-802	43.01	Feb-22	Firemax	ABC	6 Kg	26.02.2022	25.02.2025	28.02.2022	27.02.2025	Nil	Ok
72	MF/50/25		Near CP-R-802	31.04	May-22	Firemax	M/Foam	50 Ltr	10.05.2022	09.05.2024	12.05.2022	11.05.2024	Nil	Ok
73	ABC/06/152	Utility AHU Service Area	Near AHU-818	58.01	Feb-22	Firemax	ABC	6 Kg	26.02.2022	25.02.2025	28.02.2022	27.02.2025	Nil	Ok
74	ABC/06/152		Front of R-812 Utility Header	41.01	Feb-22	Firemax	ABC	6 Kg	26.02.2022	25.02.2025	28.02.2022	27.02.2025	Nil	Ok
75	ABC/06/153	Level-II Crystallization area	Near VUS-813	52.01	Feb-22	Firemax	ABC	6 Kg	26.02.2022	25.02.2025	28.02.2022	27.02.2025	Nil	Ok
76	CA/04/14		Behind AGNFD-803 & 804	6.01	May-22	Firemax	Class Agent	4 Kg	10.05.2022	09.05.2025	12.05.2022	11.05.2025	Nil	Ok
77	CA/04/15		Near Power pack of AGNFD-803	4.01	May-22	Firemax	Class Agent	4 Kg	10.05.2022	09.05.2025	12.05.2022	11.05.2025	Nil	Ok
78	CA/04/16		AGNFD-805 Rooms, Behind AGNFD-805	23.01	May-22	Firemax	Class Agent	4 Kg	10.05.2022	09.05.2025	12.05.2022	11.05.2025	Nil	Ok
79	CA/04/17		AGNFD-805 Room Near Staircase area	28.01	May-22	Firemax	Class Agent	4 Kg	10.05.2022	09.05.2025	12.05.2022	11.05.2025	Nil	Ok
80	CA/04/18		Behind AGNFD-807 808	31.01	May-22	Firemax	Class Agent	4 Kg	10.05.2022	09.05.2025	12.05.2022	11.05.2025	Nil	Ok
81	CA/04/19		Near Staircase	17.01	May-22	Firemax	Class Agent	4 Kg	10.05.2022	09.05.2025	12.05.2022	11.05.2025	Nil	Ok
82	CA/04/20		Near PB-810	8.04	May-22	Firemax	Class Agent	4 Kg	10.05.2022	09.05.2025	12.05.2022	11.05.2025	Nil	Ok
83	CA/04/21		Near Staircase	5.04	May-22	Firemax	Class Agent	4 Kg	10.05.2022	09.05.2025	12.05.2022	11.05.2025	Nil	Ok
84	ABC/06/154		SRP Area	East side door	36.01	Feb-22	Firemax	ABC	6 Kg	26.02.2022	25.02.2025	28.02.2022	27.02.2025	Nil
85	ABC/06/155	East side door		31.01	Jul-22	Firemax	ABC	6 Kg	01.07.2023	01.07.2026	04.07.2023	03.07.2026	Nil	Ok
86	CO2/4.5/79	Utility AHU Service Area	Near HWT-811	A23428	Feb-22	Firemax	CO2	4.5 Kg	Feb-22	Feb-27	28.02.2022	27.02.2027	Nil	Ok
87	ABC/06/156		Near HWT-811	32.01	Jul-22	Firemax	ABC	6 Kg	15.07.2022	14.07.2025	17.07.2022	16.07.2025	Nil	Ok
88	ABC/06/157		Near MLT-807	138.01	Apr-22	Firemax	ABC	6 Kg	02.04.2022	01.04.2025	04.04.2022	03.04.2025	Nil	Ok
89	CO2/4.5/80		Near MLT-808	A23008	Apr-22	Firemax	CO2	4.5 Kg	Apr-22	Apr-27	04.04.2022	03.04.2027	Nil	Ok
90	ABC/06/158		Near AHU-813	48.01	Feb-22	Firemax	ABC	6 Kg	26.02.2022	25.02.2025	28.02.2022	27.02.2025	Nil	Ok
91	CO2/4.5/81	Near AHU-813	A22741	Feb-22	Firemax	CO2	4.5 Kg	Feb-22	Feb-27	28.02.2022	27.02.2027	Nil	Ok	

Third Floor

92	ABC/06/159	Entrance Corridor area	Front of Hoist	33.01	Feb-22	Firemax	ABC	6 Kg	26.02.2022	25.02.2025	28.02.2022	27.02.2025	Nil	Ok
93	CA/04/22		Front of Hoist	9.01	May-22	Firemax	Class Agent	4 Kg	10.05.2022	09.05.2025	12.05.2022	11.05.2025	Nil	Ok
94	ABC/06/160	Corridor Passage Area	Near PB-813	178.02	Apr-22	Firemax	ABC	6 Kg	02.04.2022	01.04.2025	04.04.2022	03.04.2025	Nil	Ok



95	CA/04/23	Third Floor	Intermediate Area	Near Electric supply point.	23.01	May-22	Firemax	Clase Agent	4 Kg	10.05.2022	09.05.2025	12.05.2022	11.05.2025	Nil	OK	
96	MF/50/20			Near R-815	35.01	May-22	Firemax	M/Foam	50 Ltr	10.05.2022	09.05.2024	12.05.2022	11.05.2024	Nil	OK	
97	ABC/06/161			Near R-815	30.01	Feb-22	Firemax	ABC	6 Kg	26.02.2022	25.02.2025	28.02.2022	27.02.2025	Nil	OK	
98	MF/50/27			Near R-824	10.01	May-22	Firemax	M/Foam	50 Ltr	10.05.2022	09.05.2024	12.05.2022	11.05.2024	Nil	OK	
99	ABC/06/162			Near R-824	75.01	Feb-22	Firemax	ABC	6 Kg	26.02.2022	25.02.2025	28.02.2022	27.02.2025	Nil	OK	
100	ABC/06/163			Near R-806	78.01	Feb-22	Firemax	ABC	6 Kg	26.02.2022	25.02.2025	28.02.2022	27.02.2025	Pressure Down	SFB	
101	MF/50/28			Near R-806	34.01	May-22	Firemax	M/Foam	50 Ltr	10.05.2022	09.05.2024	12.05.2022	11.05.2024	Nil	OK	
102	MF/50/29			Near HE-809 A & B	30.1	May-22	Firemax	M/Foam	50 Ltr	10.05.2022	09.05.2024	12.05.2022	11.05.2024	Nil	OK	
103	ABC/06/164			Near HE-809 A & B	34.01	Feb-22	Firemax	ABC	6 Kg	26.02.2022	25.02.2025	28.02.2022	27.02.2025	Nil	OK	
104	ABC/06/165			Near SSR-822	24.03	Apr-22	Firemax	ABC	6 Kg	02.04.2022	01.04.2025	04.04.2022	03.04.2025	Nil	OK	
105	MF/50/30		Near SSR-822	25.01	May-22	Firemax	M/Foam	50 Ltr	10.05.2022	09.05.2024	12.05.2022	11.05.2024	Nil	OK		
106	ABC/06/166		Near HE-806 A	202.03	Apr-22	Firemax	ABC	6 Kg	02.04.2022	01.04.2025	04.04.2022	03.04.2025	Nil	OK		
107	MF/50/31		Near HE-806 A	28.01	May-22	Firemax	M/Foam	50 Ltr	10.05.2022	09.05.2024	12.05.2022	11.05.2024	Nil	OK		
108	CA/04/24		Crystallization TSS	Near GLR-807	19.01	May-22	Firemax	Clase Agent	4 Kg	10.05.2022	09.05.2025	12.05.2022	11.05.2025	Nil	OK	
109	CA/04/25			Near PB-811	12.01	May-22	Firemax	Clase Agent	4 Kg	10.05.2022	09.05.2025	12.05.2022	11.05.2025	Nil	OK	
110	CA/04/26			Near PB-812	27.01	May-22	Firemax	Clase Agent	4 Kg	10.05.2022	09.05.2025	12.05.2022	11.05.2025	Nil	OK	
111	CA/04/27			Near GLR-808	22.61	May-22	Firemax	Clase Agent	4 Kg	10.05.2022	09.05.2025	12.05.2022	11.05.2025	Nil	OK	
112	CA/04/28			Near DPB-805	31.01	May-22	Firemax	Clase Agent	4 Kg	10.05.2022	09.05.2025	12.05.2022	11.05.2025	Nil	OK	
113	CA/04/29			Near GLR-814	20.01	May-22	Firemax	Clase Agent	4 Kg	10.05.2022	09.05.2025	12.05.2022	11.05.2025	Nil	OK	
114	CA/04/30		NA	Near connection Board socket			Firemax	Clase Agent	4 Kg						New Req	
115	CA/04/31			Near staircase area			Firemax	Clase Agent	4 Kg							New Req
116	ABC/06/167		SRP area east side	NA	196.02	Apr-22	Firemax	ABC	6 Kg	02.04.2022	01.04.2025	04.04.2022	03.04.2025	Nil	OK	
117	ABC/06/168			NA	206.03	Apr-22	Firemax	ABC	6 Kg	02.04.2022	01.04.2025	04.04.2022	03.04.2025	Nil	OK	
118	ABC/06/169		Utility and AHU Service area	Near HWT-812	210.03	Apr-22	Firemax	ABC	6 Kg	02.04.2022	01.04.2025	04.04.2022	03.04.2025	Nil	OK	
119	CO2/4.5/82			Near HWT-812	A32044	Apr-22	Firemax	CO2	4.5 Kg	Apr-22	Apr-27	04.04.2022	03.04.2027	Nil	OK	
120	ABC/06/170			Near AHU-814	201.03	Apr-22	Firemax	ABC	6 Kg	02.04.2022	01.04.2025	04.04.2022	03.04.2025	Nil	OK	
121	CO2/4.5/83	Near AHU-814		A23604	Apr-22	Firemax	CO2	4.5 Kg	Apr-22	Apr-27	04.04.2022	03.04.2027	Nil	OK		
122	ABC/06/171	Near AHU-812		184.02	Apr-22	Firemax	ABC	6 Kg	02.04.2022	01.04.2025	04.04.2022	03.04.2025	Nil	OK		
123	CO2/4.5/84	Near AHU-812		A23036	Apr-22	Firemax	CO2	4.5 Kg	Feb-22	Feb-27	04.04.2022	03.04.2027	Nil	OK		
124	ABC/06/172	Utility and AHU Service area, towards utility	Near AHU-817	200.02	Jul-22	Firemax	ABC	6 Kg	02.07.2022	01.07.2025	04.07.2022	03.07.2025	Nil	OK		
125	ABC/06/173		Near AHU-815	173.02	Apr-22	Firemax	ABC	6 Kg	02.04.2022	01.04.2025	04.04.2022	03.04.2025	Nil	OK		
126	ABC/06/174		Near AHU-814	143.02	Apr-22	Firemax	ABC	6 Kg	02.04.2022	01.04.2025	04.04.2022	03.04.2025	Nil	OK		

Fourth Floor

127	ABC/06/175	Purified water plant	Near Tank 101	180.02	Apr-22	Firemax	ABC	6 Kg	02.04.2022	01.04.2025	04.04.2022	03.04.2025	Nil	OK
128	CO2/4.5/85		Near Tank 101	A2299	Apr-22	Firemax	CO2	4.5 Kg	Apr-22	Apr-27	04.04.2022	03.04.2027	Nil	OK
129	ABC/06/176		Near Distribution system	174.02	Apr-22	Firemax	ABC	6 Kg	02.04.2022	01.04.2025	04.04.2022	03.04.2025	Nil	OK
130	ABC/06/177	Corridor passage area interlocking quarantine R.M.	Near Airlock (FR-10)	175.02	Apr-22	Firemax	ABC	6 Kg	02.04.2022	01.04.2025	04.04.2022	03.04.2025	Nil	OK
131	ABC/06/178		Near CCTV Camera.	179.02	Apr-22	Firemax	ABC	6 Kg	02.04.2022	01.04.2025	04.04.2022	03.04.2025	Nil	OK
132	CA/04/32	Dispeping sampling room.	Inside Airlock area ,near Accessories room.	30.01	May-22	Firemax	Clase Agent	4 Kg	10.05.2022	09.05.2025	12.05.2022	11.05.2025	Nil	OK
133	CA/04/33		Inside Airlock area ,near Accessories room.	25.01	May-22	Firemax	Clase Agent	4 Kg	10.05.2022	09.05.2025	12.05.2022	11.05.2025	Nil	OK
134	ABC/06/179	Approved and Quarantine raw material store	Near Entrance door	185.02	Apr-22	Firemax	ABC	6 Kg	02.04.2022	01.04.2025	04.04.2022	03.04.2025	Nil	OK
135	CO2/4.5/86		Near Entrance door	A23314	Apr-22	Firemax	CO2	4.5 Kg	Apr-22	Apr-27	04.04.2022	03.04.2027	Nil	OK
136	ABC/06/180		Towards North side door	176.02	Apr-22	Firemax	ABC	6 Kg	02.04.2022	01.04.2025	04.04.2022	03.04.2025	Nil	OK
137	CO2/4.5/87		Towards North side door	A22968	Apr-22	Firemax	CO2	4.5 Kg	Apr-22	Apr-27	04.04.2022	03.04.2027	Nil	OK
138	ABC/06/181		On backside wall.	166.02	Apr-22	Firemax	ABC	6 Kg	02.04.2022	01.04.2025	04.04.2022	03.04.2025	Nil	OK
139	ABC/06/182	Open Terrace area	On pipe rack support , near AHU-__	165.02	Apr-22	Firemax	ABC	6 Kg	02.04.2022	01.04.2025	04.04.2022	03.04.2025	Nil	OK
140	ABC/06/183		Near backside staircase	182.02	Apr-22	Firemax	ABC	6 Kg	02.04.2022	01.04.2025	04.04.2022	03.04.2025	Nil	OK
141	ABC/06/184		Near Utility side staircase	205.03	Apr-22	Firemax	ABC	6 Kg	02.04.2022	01.04.2025	04.04.2022	03.04.2025	Nil	OK
142	ABC/06/185		Near Clean filter storage room	135.02	Apr-22	Firemax	ABC	6 Kg	02.04.2022	01.04.2025	04.04.2022	03.04.2025	Nil	OK
143	ABC/06/186	AHU Service area	Near VUE-817	172.02	Apr-22	Firemax	ABC	6 Kg	02.04.2022	01.04.2025	04.04.2022	03.04.2025	Nil	OK
144	CO2/09/11	MCC Panel room	Near Entrance door.	A1859	May-22	Firemax	CO2	9 Kg	May-22	May-27	12.05.2022	11.05.2027	Nil	OK
145	CO2/09/12		Near South side Entrance	A1164	May-22	Firemax	CO2	9 Kg	May-22	May-27	12.05.2022	11.05.2027	Nil	OK
146	CO2/4.5/88		Near R-811 MCC Panel	A23105	Apr-22	Firemax	CO2	4.5 Kg	Apr-22	Apr-27	04.04.2022	03.04.2027	Nil	OK
147	CO2/09/13	AHU Service area	Near VUE-817	A1919	May-22	Firemax	CO2	9 Kg	May-22	May-27	12.05.2022	11.05.2027	Nil	OK



Fifth Floor (Terrace)

148	ABC/06/187	Fourth Floor	On Terrace	Near south side staircase area	168.02	Apr-22	Firemax	ABC	6 Kg	02.04.2022	01.04.2025	04.04.2022	03.04.2025	Nil	OK
149	CO2/4.5/88		Near Lift Pannel room	Near Lift Pannel room	A49087	Jul-22	Firemax	CO2	4.5 Kg	Jul-22	Jul-27	14.07.2022	13.07.2027	Nil	OK

Utility Building

150	ABC/06/188	Ground floor	Chiller room	Near Entry door.	28.01	Apr-22	Firemax	ABC	6 Kg	30.03.2023	29.03.2026	01.04.2023	31.03.2026	Nil	OK
151	CO2/4.5/89			Near Entry door.	A23013	Apr-22	Firemax	CO2	4.5 Kg	Apr-22	Apr-27	01.04.2023	31.03.2026	Nil	OK
152	ABC/06/189		Compressor area	Near MEE Side ramp	178.02	Apr-22	Firemax	ABC	6 Kg	02.04.2022	01.04.2025	04.04.2022	03.04.2025	Nil	OK
153	CO2/4.5/90			Near MEE Side ramp	A23901	Apr-22	Firemax	CO2	4.5 Kg	Apr-22	Apr-27	04.04.2022	03.04.2027	Nil	OK
154	ABC/06/190		Mezzanine floor	Near staircase area	77.01	Aug-22	Firemax	ABC	6 Kg	17.08.2022	16.08.2025	19.08.2022	18.08.2025	Nil	OK
155	ABC/06/191		Compressor area	U/G Solvent side door.	167.02	Apr-22	Firemax	ABC	6 Kg	02.04.2022	01.04.2025	04.04.2022	03.04.2025	Nil	OK
156	CO2/4.5/91			U/G Solvent side door.	A23222	Feb-22	Firemax	CO2	4.5 Kg	Feb-22	Feb-27	28.02.2022	27.02.2027	Nil	OK
157	ABC/06/210		Compressor area	U/G Solvent Out side	195.03	Feb-22	Firemax	ABC	6 kg	26.02.2022	25.02.2025	28.02.2022	27.02.2025	Nil	OK

Utility First Floor

158	ABC/06/192	First floor	Wash room area	Front of wash room	188.02	Aug-22	Firemax	ABC	6 kg	17.08.2022	16.08.2025	19.08.2022	18.08.2025	Nil	OK		
159	ABC/06/193		Store room	Traning Hall			Oct-22	Firemax	ABC	6 kg	04.10.2022	03.10.2025	06.10.2022	05.10.2025	Nil	OK	
160	CO2/09/14		Pannel room		Inside pannel room	A1934	May-22	Firemax	CO2	9 Kg	May-22	May-27	12.05.2022	11.05.2027	Nil	OK	
161	ABC/06/194				Inside pannel room	182.02	Apr-22	Firemax	ABC	6 kg	02.04.2022	01.04.2025	04.04.2022	03.04.2025	Nil	OK	
162	CO2/22.5/09				Inside pannel room					Firemax	CO2	22.5 kg					New Req
163	CO2/09/15				Near API side staircase	A1957	May-22	Firemax	CO2	9 Kg	May-22	May-27	12.05.2022	11.05.2027	Nil	OK	
164	CO2/09/16			Back Side Near Switch Board			Apr-22	Firemax	CO2	9 Kg						New Req	
165	ABC/06/195		DCS Room		Near Entry Door.	204.03	Apr-22	Firemax	ABC	6 kg	02.04.2022	01.04.2025	04.04.2022	03.04.2025	Nil	OK	
166	CO2/4.5/72				Near Entry Door.	UF-42121	Sep-22	Vintax	CO2	4.5 Kg	Jan-23	Jan-28	19.01.2023	18.01.2028	Nil	OK	
167	ABC/06/200		Engg Office		Near Engg Office	191.03	Apr-22	Firemax	ABC	6 Kg	02.04.2022	01.04.2025	04.04.2022	03.04.2025	Nil	OK	
168	CO2/4.5/92				Near Engg Office	A23094	Apr-22	Firemax	CO2	4.5 Kg	Apr-22	Apr-27	04.04.2022	03.04.2027	Nil	OK	

Utility Second Floor

169	CO2/4.5/93	First floor	Utility Pump House	Near Entry Door	A22995	Apr-22	Firemax	CO2	4.5 Kg	Apr-22	Apr-27	04.04.2022	03.04.2027	Nil	OK
170	ABC/06/196	Second floor		Near Entance Door	207.03	Apr-22	Firemax	ABC	6 kg	02.04.2022	01.04.2025	04.04.2022	03.04.2025	Nil	OK
171	CO2/4.5/94			Near Entance Door	A230	Apr-22	Firemax	CO2	4.5 Kg	Apr-22	Apr-27	04.04.2022	03.04.2027	Nil	OK
172	ABC/06/197			Near Entance door of API Side	183.02	Apr-22	Firemax	ABC	6 kg	02.04.2022	01.04.2025	04.04.2022	03.04.2025	Nil	OK
173	ABC/06/198			Inside Training Hall	Near Entance Door	187.02	Apr-22	Firemax	ABC	6 kg	02.04.2022	01.04.2025	04.04.2022	03.04.2025	Nil
174	CO2/4.5/95	Near Entance Door			A23067	Apr-22	Firemax	CO2	4.5 Kg	Apr-22	Apr-27	04.04.2022	03.04.2027	Nil	OK

Utility Terrace Floor

175	ABC/06/199	Terrace floor	Terrace area	Near Entry Door.	177.04	Apr-22	Firemax	ABC	6 kg	02.04.2022	01.04.2025	04.04.2022	03.04.2025	Nil	SFR
176	CO2/22.5/10			Near Entry Door.					CO2	22.5 kg					New Req

Hydrant Pump House Area

177	CO2/4.5/97	Ground floor	Pump House	Inside Primary water treatment plant near entry door.	A22958	Apr-22	Firemax	CO2	4.5 Kg	Apr-22	Apr-27	04.04.2022	03.04.2027	Nil	OK		
178	ABC/06/201			Inside Office of Primary water treatment plant near entry door.	353.04	Feb-22	Firemax	ABC	6 kg	26.02.2022	25.02.2025	28.02.2022	27.02.2025	Nil	OK		
179	CO2/4.5/98			Inside Primary water treatment plant near Pump House Staircase	A23087	Apr-22	Firemax	CO2	4.5 Kg	Apr-22	Apr-27	04.04.2022	03.04.2027	Nil	OK		
180	ABC/06/202			Inside Primary water treatment plant near Pump House Staircase	197.06	Apr-22	Firemax	ABC	6 kg	02.04.2022	01.04.2025	04.04.2022	03.04.2025	Nil	OK		
181	CO2/4.5/99		Purified water		U/G Pump House near Diesel Pump.	A22987	Apr-22	Firemax	CO2	4.5 Kg	Apr-22	Apr-27	04.04.2022	03.04.2027	Nil	OK	
182	CO2/4.5/18				U/G Pump House near Diesel Pump.						CO2	9 Kg					New Req
183	ABC/06/203				U/G Pump House near Diesel Pump.	199.03	Apr-22	Firemax	CO2	4.5 Kg	Apr-22	Apr-27	04.04.2022	03.04.2027	Nil	OK	

MEE Building MEE And ETP

184	ABC/06/205	Ground floor	MEE Building	Central Entrance area on column.	50.01	Feb-22	Firemax	ABC	6 kg	26.02.2022	25.02.2025	28.02.2022	27.02.2025	Nil	OK
185	CO2/4.5/100			Central Entrance area on column.	A49082	Jul-22	Firemax	CO2	4.5 Kg	Jul-22	Jul-27	17.07.2022	16.07.2027	Nil	OK
186	ABC/06/206	First floor		Near M.S. Staircase	35.04	Apr-22	Firemax	ABC	6 kg	30.03.2023	29.03.2026	01.04.2023	31.03.2026	Nil	OK
187	CO2/4.5/101			Near M.S. Staircase	A23016	Apr-22	Firemax	CO2	4.5 Kg	Apr-22	Apr-27	04.04.2022	03.04.2027	Nil	OK
188	ABC/06/207	Second floor		MEE Entrance area	361.01	Jul-22	Firemax	ABC	6 kg	15.07.2022	14.07.2025	17.07.2022	16.07.2025	Nil	OK
189	CO2/4.5/102			MEE Entrance area	A22993	Apr-22	Firemax	CO2	4.5 Kg	Apr-22	Apr-27	04.04.2022	03.04.2027	Nil	OK
190	ABC/06/209	Third		MEE Entrance area	181.02	Apr-22	Firemax	ABC	6 kg	02.04.2022	01.04.2025	04.04.2022	03.04.2025	Nil	OK
191	CO2/4.5/104			MEE Entrance area	A49213	Jul-22	Firemax	CO2	4.5 Kg	Jul-22	Jul-27	14.07.2022	13.07.2027	Nil	OK
192	ABC/06/211		MEE Entrance area	339.02	Jul-22	Firemax	ABC	6 kg	15.07.2022	14.07.2025	17.07.2022	16.07.2025	Nil	OK	



193	CO2/4.5/106	Floor		MEE Entrance area	A49090	Jul-22	Firemax	CO2	4.5 Kg	Jul-22	Jul-27	14.07.2022	13.07.2027	Nil	Ok		
ETP Buildingding																	
194	ABC/06/212	Ground floor	ETP Building	Near Filter Press.	74.01	Feb-22	Firemax	ABC	6 kg	26.02.2022	25.02.2025	28.02.2022	27.02.2025	Nil	Ok		
195	CO2/4.5/107			Near Filter Press.	A49281	Jul-22	Firemax	CO2	4.5 Kg	Jul-22	Jul-27	14.07.2022	13.07.2027	Nil	Ok		
196	CO2/4.5/108			MEE Side Exit. (Inside room)	A491.84	Jul-22	Firemax	CO2	4.5 Kg	Jul-22	Jul-27	14.07.2022	13.07.2027	Nil	Ok		
197	ABC/06/213			Inside R.O. Plant room.	364.04	Jul-22	Firemax	ABC	6 kg	15.07.2022	14.07.2025	17.07.2022	16.07.2025	Nil	Ok		
198	CO2/4.5/109			Inside R.O. Plant room.	A49354	Jul-22	Firemax	CO2	4.5 Kg	Jul-22	Jul-27	14.07.2022	13.07.2027	Nil	Ok		
199	CO2/4.5/110		ETP Building, near Boiler	Near Pannel room of Boiler	A49241	Jul-22	Firemax	CO2	4.5 Kg	Jul-22	Jul-27	14.07.2022	13.07.2027	Nil	Ok		
200	ABC/06/214			Near Pannel room of Boiler	355.04	Jul-22	Firemax	ABC	6 kg	15.07.2022	14.07.2025	17.07.2022	16.07.2025	Nil	Ok		
201	CO2/4.5/111		Boiler area	Boiler backside area	A491.53	Jul-22	Firemax	CO2	4.5 Kg	Jul-22	Jul-27	14.07.2022	13.07.2027	Nil	Ok		
202	CO2/4.5/112			Chemical storage room	A48983	Jul-22	Firemax	CO2	4.5 Kg	Jul-22	Jul-27	14.07.2022	13.07.2027	Nil	Ok		
203	ABC/06/215		First floor	ETP Building	Near ETP Entrance	305.04	Jul-22	Firemax	ABC	6 kg	13.07.2022	14.07.2025	17.07.2022	16.07.2025	Nil	Ok	
204	MF/09/67	Near Boiler Bio Diesel and water Tank			6.01	Feb-22	Firemax	M/Foam	9 Ltr	15.07.2022	14.07.2025	17.07.2022	16.07.2025	Nil	Ok		
205	ABC/06/216	Near Boiler Bio Diesel and water Tank			354.04	Jul-22	Firemax	ABC	6 Kg	15.07.2022	14.07.2025	17.07.2022	16.07.2025	Nil	Ok		
206	ABC/06/217	Second floor	ETP Building	Near Settler Tank	A49026	Jul-22	Firemax	ABC	6 Kg	15.07.2022	14.07.2025	17.07.2022	16.07.2025	Nil	Ok		
207	CO2/4.5/113			Near Settler Tank	363.04	Jul-22	Firemax	CO2	4.5 Kg	Jul-22	Jul-27	14.07.2022	13.07.2027	Nil	Ok		
208	ABC/06/218	Third floor	ETP Building	MCC Room Entry area.	A1978	Jul-22	Firemax	ABC	6 Kg	15.07.2022	14.07.2025	17.07.2022	16.07.2025	Nil	Ok		
209	CO2/09/17			MCC Room Entry area.	A49026	May-22	Firemax	CO2	9 Kg	May-22	May-27	12.05.2022	11.05.2027	Nil	Ok		
210	ABC/06/219			Near Air Blower	A360.04	Jul-22	Firemax	ABC	6 Kg	15.07.2022	14.07.2025	17.07.2022	16.07.2025	Nil	Ok		
211	CO2/4.5/114			Near Air Blower	A49040	Jul-22	Firemax	CO2	4.5 Kg	Jul-22	Jul-27	14.07.2022	13.07.2027	Nil	Ok		
212	ABC/06/223			MCC Room Entry area.	337.01	Jul-22	Firemax	ABC	6 Kg	15.07.2022	14.07.2025	17.07.2022	16.07.2025	Nil	Ok		
HT Yard																	
213	ABC/25/03	Ground floor	H.T. Yard	Inside H.T. Yard near Entrance	4.01	Apr-22	Firemax	ABC	25 Kg	05.04.2022	04.04.2025	07.04.2022	06.04.2025	Nil	Ok		
214	CO2/4.5/115			Inside H.T. Yard near Entrance	A22884	Feb-22	Firemax	CO2	4.5 Kg	Feb-22	Feb-27	28.02.2022	27.02.2027	Nil	Ok		
215	ABC/25/02		11 KV. H.T. Yard	Out side of H.T. Yard near Entrance	4.02	Apr-22	Firemax	ABC	25 Kg	05.04.2022	04.04.2025	07.04.2022	06.04.2025	Nil	Ok		
216	ABC/06/204			33 KV. CRP Room	Entry area of 33 KV. CRP Room	38.01	Oct-22	Firemax	ABC	9 Kg	25.10.2022	24.10.2025	27.10.2022	26.10.2025	Nil	Ok	
217	CO2/4.5/116		Entry area of 33 KV. CRP Room		A22991	Feb-22	Firemax	CO2	4.5 Kg	Feb-22	Feb-27	28.02.2022	27.02.2027	Nil	Ok		
Surrounding Area																	
218	MF/50/32	Ground floor	Solvent Tankfarm area	Near Weighing balance	16.01	May-22	Firemax	M/Foam	50 Ltr	10.05.2022	09.05.2024	12.05.2022	11.05.2024	Nil	Ok		
219	CO2/4.5/117			Near Weighing balance	A49247	Jul-22	Firemax	CO2	4.5 Kg	Jul-22	Jul-27	14.07.2022	13.07.2027	Nil	Ok		
220	ABC/ 25/04			Near Weighing balance	2.01	Jul-22	Firemax	ABC	25 Kg	15.07.2022	14.07.2025	17.07.2022	16.07.2025	Nil	Ok		
221	MF/06/98		Under Ground Solvent Tankfarm area	On wall of Purified water area.	9.01	Apr-22	Firemax	M/Foam	9 Ltr	30.03.2022	29.03.2025	01.04.2022	31.03.2025	Nil	Ok		
222	CO2/4.5/118			On wall of Purified water area.	A49298	Jul-22	Firemax	CO2	4.5 Kg	Jul-22	Jul-27	14.07.2022	13.07.2027	Nil	Ok		
223	ABC/06/220			On wall of Purified water area.	60.01	Apr-22	Firemax	ABC	6 Kg	30.03.2022	29.03.2025	01.04.2022	31.03.2025	Nil	Ok		
224	MF/50/25		Solvent Drum Storage Area	Near MCC Pannel Room	8.04	May-22	Firemax	M/Foam	50 Ltr	18.05.2022	09.05.2024	12.05.2022	11.05.2024	Nil	Ok		
225	MF/50/38			Near Corner Of Utility Building Entrance	16.04	05/202	Firemax	M/Foam	50 Ltr	18.05.2022	09.05.2024	12.05.2022	11.05.2024	Nil	Ok		
D.G. And Transformer Area																	
226	CO2/09/14		Ground floor	Near Transformer	Near Transformer entry area	A1856	May-22	Firemax	CO2	9 Kg	May-22	May-27	12.05.2022	11.05.2027	Nil	Ok	
227	ABC/ 25/05	Near Transformer entry area			4.01	Jul-22	Firemax	ABC	25 Kg	15.07.2022	14.07.2025	17.07.2022	16.07.2025	Nil	Ok		
228	ABC/06/221	Near D.G.		Near D.G.	353.04	Apr-22	Firemax	ABC	6 Kg	02.04.2022	01.04.2025	04.04.2022	03.04.2025	Nil	Ok		
229	CO2/4.5/119			Inside Transformer Cage.	A23372	Feb-22	Firemax	CO2	4.5 Kg	Feb-22	Feb-27	28.02.2022	27.02.2027	Nil	Ok		
Solvent Yard																	
230	MF/50/33	Ground floor	Near Gate No.2	Solvent Storage area (Godown)	19001	Mar-22	Firemax	M/Foam	50 Ltr	15.03.2022	14.03.2025	17.03.2022	16.03.2025	Nil	Ok		
231	MF/09/69			Solvent Storage area (Godown)	39.02	Feb-22	Firemax	M/Foam	9 Ltr	15.02.2024	14.02.2026	17.02.2024	16.02.2026	Nil	Ok		
232	MF/50/34			Solvent Storage area (Godown)	37.03	Feb-22	Firemax	M/Foam	50 Ltr	15.02.2024	14.02.2026	17.02.2024	16.02.2026	Nil	Ok		
233	MF/09/70			Solvent Storage area (Godown)	5.03	Nov-22	Firemax	M/Foam	9 Ltr	07.11.2022	06.11.2024	09.11.2022	08.11.2024	Nil	Ok		
234	ABC/ 25/16			Solvent Storage area (Godown)	3.04	Mar-22	Firemax	ABC	25 Kg	15.03.2022	14.03.2025	17.03.2022	16.03.2025	Nil	Ok		
Office Area																	
235	ABC/02/06	Ground floor	conference Room	Production Office	10.04	Mar-22	Firemax	ABC	2 Kg	28.02.2022	27.02.2025	02.03.2022	01.03.2024	Due Date			
236	ABC/02/06	Second floor	Utility	Engg / Utility Office	9.04	May-22	Firemax	ABC	2 Kg	10.05.2022	09.05.2024	12.05.2022	11.05.2024	Nil	Ok		
237	ABC/02/07	Third floor	MEE Building	HSE / etp Office	12.01	Apr-22	Firemax	ABC	2 Kg	30.03.2022	29.03.2025	01.04.2022	31.03.2025	Nil	Ok		
Block No.05 APL Building/ East Side																	
238	ABC/06/228	Ground	Block No.05 Crm Reactor	Near staircase No.4	515-11	2023	Firemax	ABC	6 Kg	18.12.2023	17.12.2026	20.12.2023	19.12.2026	Nil	Ok		



Sl. No.	Ref No.	Floor	Area	Equipment	Year	Brand	Type	Weight	Expiry	Test Date	Next Test	Condition	Status		
239	CO2/4.5/120	First Floor	Block No.05 Cryo Reactor Area	Near staircase No.4	A826638	2023	Firemax	CO2	4.5 Kg	Aug-23	Aug-28	20.08.2023	19.08.2028	Nil	OK
240	ABC/06/229			Near staircase No.4	513-11	2023	Firemax	ABC	6 kg	18.12.2023	17.12.2026	20.12.2023	19.12.2026	Nil	OK
241	CO2/4.5/121			Near staircase No.4	A424608	2023	Firemax	CO2	4.5 Kg	Aug-23	Aug-28	20.08.2023	19.08.2028	Nil	OK
242	ABC/06/230			Near staircase No.5	513-11	2023	Firemax	ABC	6 kg	18.12.2023	17.12.2026	20.12.2023	19.12.2026	Nil	OK
243	CO2/4.5/122			Near staircase No.5	A825966	2023	Firemax	CO2	4.5 Kg	Aug-23	Aug-28	20.08.2023	19.08.2028	Nil	OK
244	ABC/06/231	Second Floor		Near staircase No.4	517-11	2023	Firemax	ABC	6 kg	18.12.2023	17.12.2026	20.12.2023	19.12.2026	Nil	OK
245	CO2/4.5/123			Near staircase No.4	A825989	2023	Firemax	CO2	4.5 Kg	Aug-23	Aug-28	20.08.2023	19.08.2028	Nil	OK
246	ABC/06/232			Near staircase No.5	510-11	2023	Firemax	ABC	6 kg	18.12.2023	17.12.2026	20.12.2023	19.12.2026	Nil	OK
247	CO2/4.5/124	Third Floor		Near staircase No.5	A834545	2023	Firemax	CO2	4.5 Kg	Aug-23	Aug-28	20.08.2023	19.08.2028	Nil	OK
248	ABC/06/233			Near staircase No.4	519-11	2023	Firemax	ABC	6 kg	18.12.2023	17.12.2026	20.12.2023	19.12.2026	Nil	OK
249	CO2/4.5/125		Near staircase No.4	A826042	2023	Firemax	CO2	4.5 Kg	Aug-23	Aug-28	20.08.2023	19.08.2028	Nil	OK	
250	ABC/06/234		Near staircase No.5	518-11	2023	Firemax	ABC	6 kg	18.12.2023	17.12.2026	20.12.2023	19.12.2026	Nil	OK	
251	CO2/4.5/126		Near staircase No.5	A826089	2023	Firemax	CO2	4.5 Kg	Aug-23	Aug-28	20.08.2023	19.08.2028	Nil	OK	

Spare Room Hydrant Pump House G/F

1	ABC/02/08	Ground floor	Spare Room	Fire Hydrant Room Spare	11.04	May-22	Firemax	ABC	2 Kg	10.05.2022	06.05.2024	12.05.2022	11.05.2024	Nil	OK
2	MF/09/71			Fire Hydrant Room Spare	3.02	Apr-22	Firemax	M/Foam	9 Ltr	02.04.2022	01.04.2024	04.04.2022	03.04.2024	Nil	OK
3	MF/08/72			Fire Hydrant Room Spare	12.02	Feb-22	Firemax	M/Foam	9 Ltr	15.02.2024	14.02.2026	17.02.2024	16.02.2026	Nil	OK
4	MF/08/73			Fire Hydrant Room Spare	8.02	Feb-22	Firemax	M/Foam	9 Ltr	15.02.2024	14.02.2026	17.02.2024	16.02.2026	Nil	OK
5	MF/08/74			Fire Hydrant Room Spare	1.02	Feb-22	Firemax	M/Foam	9 Ltr	15.02.2024	14.02.2026	17.02.2024	16.02.2026	Nil	OK
6	MF/09/75			Fire Hydrant Room Spare	3.02	Feb-22	Firemax	M/Foam	9 Ltr	15.02.2024	14.02.2026	17.02.2024	16.02.2026	Nil	OK
7	MF/09/76			Fire Hydrant Room Spare	4.02	Feb-22	Firemax	M/Foam	9 Ltr	15.02.2024	14.02.2026	17.02.2024	16.02.2026	Nil	OK
8	MF/09/78			Fire Hydrant Room Spare	13.03	Apr-22	Firemax	M/Foam	9 Ltr	02.04.2022	01.04.2024	04.04.2022	03.04.2024	Nil	OK
9	MF/09/79			Fire Hydrant Room Spare	15.03	Apr-22	Firemax	M/Foam	9 Ltr	02.04.2022	01.04.2024	04.04.2022	03.04.2024	Nil	OK
10	MF/09/80			Fire Hydrant Room Spare	11.01	Apr-22	Firemax	M/Foam	9 Ltr	02.04.2022	01.04.2024	04.04.2022	03.04.2024	Nil	OK
11	ABC/224			Fire Hydrant Room Spare		Jul-22	Firemax	ABC	6 kg	15.02.2024	14.02.2026	17.02.2024	16.02.2026	Nil	OK
12	ABC/225			Fire Hydrant Room Spare	36204	Jul-22	Firemax	ABC	6 kg	15.02.2024	14.02.2026	17.02.2024	16.02.2026	Nil	OK
13	ABC/06/235			Fire Hydrant Room Spare		2023	Firemax	ABC	6 Kg	18.12.2023	17.12.2026	20.12.2023	19.12.2026	Nil	OK
14	ABC/06/236			Fire Hydrant Room Spare		2023	Firemax	ABC	6 Kg	18.12.2023	17.12.2026	20.12.2023	19.12.2026	Nil	OK
15	ABC/06/237			Fire Hydrant Room Spare		2023	Firemax	ABC	6 Kg	18.12.2023	17.12.2026	20.12.2023	19.12.2026	Nil	OK
16	CO2/4.5/128			Fire Hydrant Room Spare		2023	Firemax	CO2	4.5 Kg	Aug-23	Aug-28	20.08.2023	19.08.2028	Nil	OK
17	CO2/4.5/129			Fire Hydrant Room Spare		2023	Firemax	CO2	4.5 Kg	Aug-23	Aug-28	20.08.2023	19.08.2028	Nil	OK
18	CO2/4.3/130			Fire Hydrant Room Spare		2023	Firemax	CO2	4.3 Kg	Jan-24	Jan-29	31.01.2024	30.01.2029	Nil	OK
19	M/F/50/41			Fire Hydrant Room Spare		2023	Firemax	M/Foam	50 Ltr	29.01.2024	28.01.2026	31.01.2024	30.01.2028	Nil	OK

For: **FRANK FIRE & SAFETY SERVICES**

 AUTHORIZED SIGNATURE


Checked By Safety Department

 AUTHORIZED SIGNATURE

MAHARASHTRA POLLUTION CONTROL BOARD

Tel: 24010706/24010437
 Fax: 24023516
 Website: <http://mpcb.gov.in>
 Email: ast@mpcb.gov.in



Kalpataru Point, 2nd and
 4th floor, Opp. Cine Planet
 Cinema, Near Sion Circle,
 Sion (E), Mumbai-400022

RED/L.S.I (R22)
 No:- Format1.0/AS(T)/UAN
 No.0000191061/CR/2403000332

Date: 04/03/2024

To,
 Aarti Pharmalabs Limited
 E-59/1, MIDC Tarapur
 Palghar, Palghar-Palghar



Sub: Grant of Renewal of consent (part) under RED/LSI Category.

- Ref:**
1. Earlier renewal of consent to operate (Part) accorded by the Board vide no. Format1.0/AS(T)/UAN No.0000166148/CR/2307000551 Date: 11/07/2023
 2. Environmental Clearance accorded by the MoEF & CC, Govt. of India vide No. vide EC No. IA -J-11011 /324 /2020-IA-II (I), Date. 25.01.2021.
 3. Amendment in consent to operate with change in name vide no.Format 1.0/UAN No.000009421/Amend-2211000022 Dated 10.11.2022

Your application No.MPCB-CONSENT-0000191061 Dated 19.12.2023

For: Grant of Consent to Operate under Section 26 of the Water (Prevention & Control of Pollution) Act, 1974 & under Section 21 of the Air (Prevention & Control of Pollution) Act, 1981 and Authorization under Rule 6 of the Hazardous & Other Wastes (Management & Transboundary Movement) Rules 2016 is considered and the consent is hereby granted subject to the following terms and conditions and as detailed in the schedule I, II, III & IV annexed to this order:

1. **The consent to renewal is granted for a period up to 31/01/2025**
2. **The capital investment of the project is Rs.26 Crs. (As per C.A Certificate submitted by industry)**
3. **Consent is valid for the manufacture of:**

Sr No	Product	Maximum Quantity	UOM
Products			
1	Ramiprill	2	MT/M
2	Ranolazine	15	MT/M
3	Formoterol Fumarate Dihydrate	2	MT/M
4	Venlafaxine Hydrochloride	20	MT/M
5	Olopatadine Hydrochloride	2	MT/M
6	Phenylephrine Hydrochloride	5	MT/M
7	Loteprednol Etabonate	1	MT/M
8	Capecitabine	0.5	MT/M

Sr No	Product	Maximum Quantity	UOM
9	Tofacitinib	2	MT/M
10	Cinacalcet Hydrochloride	2	MT/M
11	Montelukast Sodium	2.5	MT/M
12	Apixaban	1	MT/M
13	Betrixaban	2.5	MT/M
14	Rivaroxaban	2.5	MT/M
15	Edoxaban Tosylate, Edoxaban Tosylate Monohydrate	2.5	MT/M
16	Quetiapine Fumarate	10	MT/M
17	Aminophylline	5	MT/M
18	Umeclidinium	5	MT/M
19	Vilanterol	5	MT/M
20	Ifosfamide	1	MT/M
21	Cyclophosphamide	1	MT/M
22	Mercaptopurine	1	MT/M
23	Abemaciclib	1	MT/M
24	Acalabrutinib	1	MT/M
25	Apalutamide	1	MT/M
26	Ibrutinib	1	MT/M
27	Nilotinib Hydrochloride anhydrous, Nilotinib Hydrochloride Monohydrate	1	MT/M
28	Niraparib Hydrochloride	1	MT/M
29	Nintedanib Esylate	1	MT/M
30	Palbociclib	1	MT/M
31	Ribociclib	1	MT/M
32	venetoclax	1	MT/M
33	Dapagliflozin	4.5	MT/M
34	Canagliflozin Hemihydrate	4.5	MT/M
35	Empagliflozin	4.5	MT/M
36	Deferiprone	3	MT/M
37	Deferasirox	3	MT/M
38	Sitagliptin HCL, Phosphate & Monohydrate	5	MT/M

4. **Conditions under Water (P&CP), 1974 Act for discharge of effluent:**

Sr No	Description	Permitted (in CMD)	Standards to	Disposal Path
1.	Trade effluent	87	As per Schedule-I	Recycle 100% to achieve ZLD
2.	Domestic effluent	12	As per Schedule-I	Soaked in soak pit

5. **Conditions under Air (P& CP) Act, 1981 for air emissions:**

Sr No.	Stack No.	Description of stack / source	Number of Stack	Standards to be achieved
1	S-1	BOILER -1	1	As per Schedule -II
2	S-2	DG SET -1	1	As per Schedule -II
3	S-3	SCRUBBER	1	As per Schedule -II
4	S-4	SCRUBBER	1	As per Schedule -II
5	S-5	SCRUBBER	1	As per Schedule -II
6	S-6	SCRUBBER	1	As per Schedule -II

6. **Non-Hazardous Wastes:**

Sr No	Type of Waste	Quantity	UoM	Treatment	Disposal
1	Glass scrap	2000	Kg/Annum	Sale	Sale to authorized party
2	Garbage	2500	Kg/Annum	Sale	Sale to authorized party
3	Wood pallets	1500	Kg/Annum	Sale	Sale to authorized party
4	Paper /files	100	Kg/M	Sale	Sale to authorized party
5	Corrugated boxes	2500	Nos./Y	Sale	Sale to authorized party
6	Metal scrap	100	MT/A	Sale	Sale to authorized party
7	Coal ash	50	MT/M	Sale	Sale to Brick Manufacturer
8	Used apron	1000	No/M	Sale	Sale to authorized party
9	Hand gloves	2500	No/M	Sale	Sale to authorized party
10	Fiber drums	1100	No/M	Sale	Sale to authorized party
11	MS Drums	500	No/M	Sale	Sale to authorized party

7. **Conditions under Hazardous & Other Wastes (M & T M) Rules 2016 for Collection, Segregation, Storage, Transportation, Treatment and Disposal of hazardous waste:**

Sr No	Category No./ Type	Quantity	UoM	Treatment	Disposal
1	5.1 Used or spent oil	400	Ltr/M	Recycle*	Sale to authorised party/coprocessor through authorized preprocessor/CHWTSDf
2	28.1 Process Residue and wastes	20	MT/M	Incineration	Sale to authorised party/coprocessor through authorized preprocessor/CHWTSDf
3	28.3 Spent carbon	15	MT/M	Incineration	Sale to authorised party/coprocessor through authorized preprocessor/CHWTSDf

Sr No	Category No./ Type	Quantity	UoM	Treatment	Disposal
4	28.4 Off specification products	0.5	MT/M	Incineration	Sale to authorised party/coprocessor through authorized preprocessor/CHWTSDF
5	28.5 Date-expired products	0.5	MT/M	Incineration	Sale to authorised party/coprocessor through authorized preprocessor/CHWTSDF
6	35.4 Oil and grease skimming	0.05	MT/M	Recycle/Coprocessing	Sale to authorised party/coprocessor through authorized preprocessor/CHWTSDF
7	35.3 Chemical sludge from waste water treatment	5	MT/M	Landfill after treatment	CHWTSDF
8	37.3 Concentration or evaporation residues	70	MT/M	Landfill after treatment	CHWTSDF
9	28.6 Spent organic solvents	450	KL/M	Recycle/Coprocessing	Sale to authorised party/coprocessor through authorized preprocessor/CHWTSDF
10	33.1 Empty barrels /containers /liners contaminated with hazardous chemicals /wastes	1100	No/M	Recycle	Sale to authorised party/coprocessor through authorized preprocessor/CHWTSDF
11	33.1 Empty barrels /containers /liners contaminated with hazardous chemicals /wastes	500	No/M	Recycle	Sale to authorised party/coprocessor through authorized preprocessor/CHWTSDF
12	33.1 Empty barrels /containers /liners contaminated with hazardous chemicals /wastes	3800	No/M	Recycle	Sale to authorised party/coprocessor through authorized preprocessor/CHWTSDF
13	28.2 Spent catalyst	0.5	MT/M	Recycle	Sale to Authorized party/CHWTSDF
14	26.3 Spent acid	90	MT/M	Recycle	Sale to authorised party/coprocessor through authorized preprocessor/CHWTSDF

Sr No	Category No./ Type	Quantity	UoM	Treatment	Disposal
-------	--------------------	----------	-----	-----------	----------

Industry shall ensure disposal of Hazardous Waste to the Actual user having permissions under Rule 9 of Hazardous and other Waste (M & TM) Rules, 2016

8. The Board reserves the right to review, amend, suspend, revoke this consent and the same shall be binding on the industry.
9. This consent should not be construed as exemption from obtaining necessary NOC/ permission from any other Government authorities.
10. The industry shall obtain necessary permission from the Directorate of Industrial Safety and Health (DISH).
11. The applicant shall properly collect, transport & regularly dispose-off the Hazardous Waste to CHWTSD, in compliance of the Hazardous and other Waste (M & TH) Rule-2016 and keep proper manifest thereof.
12. The applicant shall not carry out any excess production or produce new products without Consent of the Board and without Environmental Clearance wherever it applicable.
13. This Consent is issued subject to an order passed or may be passed by Hon'ble NGT in application no.1038/2018 in the matter of CEPI
14. The applicant shall comply with the conditions of the Environmental Clearance granted vide letter No. EC No. IA -J-11011 /324 /2020-IA-II (I), Date. 25.01.2021.
15. Industry shall install online continuous monitoring system as per CPCB guidelines & data to be transmitted directly from Data Logger to Board server .
16. The applicant shall make an application for renewal of consent 60 days prior to date of expiry of the consent.
17. This consent is issued as per the Office Order for Consent Management of the Board No. 12/2020 dtd. 23.12.2020.
18. This consent is issued under auto renewal scheme.



4e16915e
cbeeb7cab
735b67bf
ee0320f9
ad7ca77c
b51b767e
fc94c71b
b255cf9d

Signed by: **N.N. Gurav**
Assistant Secretary (Technical)
For and on behalf of
Maharashtra Pollution Control Board
ast@mpcb.gov.in
2024-03-04 18:58:34 IST

Received Consent fee of -

Sr.No	Amount(Rs.)	Transaction/DR.No.	Date	Transaction Type
1	75000.00	TXN2312004849	26/12/2023	Online Payment

Copy to:

1. Regional Officer, MPCB, Thane and Sub-Regional Officer, MPCB, Tarapur I
- They are directed to ensure the compliance of the consent conditions.
2. Chief Accounts Officer, MPCB, Sion, Mumbai

SCHEDULE-I

Terms & conditions for compliance of Water Pollution Control:

1. A) As per your application, you have segregated trade effluent into weak stream & strong stream and provided Effluent Treatment Plant (ETP) comprising of:
 - i) **Strong COD/TDS stream of 40 CMD** - Treatment system comprising of Primary (Collection tank, Neutralization tank, Equalization tank, Flash mixer, Primary Clarifier/Primary Settling Tank, Primary after stmt) , Stripper, Multi effect evaporator with design capacity of 100 CMD followed by ATFD. The MEE condensate is treated in weak stream ETP.
 - ii) **Weak COD/TDS stream of 47 CMD** - Treatment system comprising of Primary (Collection tank, Neutralization tank, Equalization tank, Flash mixer, Primary Clarifier/Primary Settling Tank), Secondary (Activated sludge process, MBR), Tertiary (Pressure sand filter, Activated carbon filter), Advance treatment (Reverse osmosis, Multi Effective Evaporator (stage), Reverse Osmosis of capacity 200 CMD. RO permeate shall be recycled back and RO reject shall be sent to MEE.)) .
 - B) The Applicant shall operate the effluent treatment plant (ETP) to treat the trade effluent and recycle the entire treated effluent into the process for various purposes such as for cooling, process & Scrubbing with metering system so as to achieve Zero Liquid Discharge. There shall be no discharge on land or outside factory premises.
2. A) As per your application, you have provided Septic Tank followed by Soak pit for the treatment of 12 CMD of sewage.
 - B) The Applicant shall operate the sewage treatment system to treat the sewage so as to achieve the following standards.

Sr.No	Parameters	Standards (mg/l)	
1	Suspended Solids	Not to exceed	50
2	BOD 3 days 27°C	Not to exceed	30

3. The Board reserves its rights to review plans, specifications or other data relating to plant setup for the treatment of waterworks for the purification there of & the system for the disposal of sewage or trade effluent or in connection with the grant of any consent conditions. The Applicant shall obtain prior consent of the Board to take steps to establish the unit or establish any treatment and disposal system or an extension or addition thereto.
4. The industry shall ensure replacement of pollution control system or its parts after expiry of its expected life as defined by manufacturer so as to ensure the compliance of standards and safety of the operation thereof.

5. The Applicant shall comply with the provisions of the Water (Prevention & Control of Pollution) Act, 1974 and as amended, by installing water meters and other provisions as contained in the said act:

Sr. No.	Purpose for water consumed	Water consumption quantity (CMD)
1.	Industrial Cooling, spraying in mine pits or boiler feed	154.00
2.	Domestic purpose	15.00
3.	Processing whereby water gets polluted & pollutants are easily biodegradable	51.00
4.	Processing whereby water gets polluted & pollutants are not easily biodegradable and are toxic	0.00
5.	Gardening	11

6. The Applicant shall provide Specific Water Pollution control system as per the conditions of EP Act, 1986 and rule made there under from time to time/ Environmental Clearance/ CREP guidelines.

SCHEDULE-II

Terms & conditions for compliance of Air Pollution Control:

1. As per your application, you have provided the Air pollution control (APC) system and erected following stack (s) to observe the following fuel pattern:

Stack No.	Source	APC System provided/proposed	Stack Height(in mtr)	Type of Fuel	Sulphur Content(in %)	Pollutant	Standard
S-1	BOILER -1	Stack	40.00	NATURAL GAS 1100 SCM/Hr	-	NOx	50 Mg/Nm ³
						TPM	50 Mg/Nm ³
S-2	DG SET -1	Acoustic Enclosure	14.00	HSD 350 Ltr/Hr	1.0	TPM	50 Mg/Nm ³
						SO ₂	44.8 Kg/Day
S-3	BOILER -2	Stack	40.00	COAL/BRIQUETT E 2000 Kg/Day	0.06	TPM	50 Mg/Nm ³
						NOx	50 Mg/Nm ³
S-4	Process Vent	Scrubber	6.00	-	-	Acid Mist	35 Mg/Nm ³
S-5	Process Vent	Scrubber	6.00	-	-	ALKALI	30 Mg/Nm ³
S-6	Process Vent		6.00	-	-	Acid Mist	35 Mg/Nm ³
						SO ₂ (process)	50 PPM

2. The Applicant shall provide Specific Air Pollution control equipments as per the conditions of EP Act, 1986 and rule made there under from time to time/ Environmental Clearance / CREP guidelines.
3. The Applicant shall obtain necessary prior permission for providing additional control equipment with necessary specifications and operation thereof or alteration or replacement/alteration well before its life come to an end or erection of new pollution control equipment.

4. The Board reserves its rights to vary all or any of the condition in the consent, if due to any technological improvement or otherwise such variation (including the change of any control equipment, other in whole or in part is necessary).

SCHEDULE-III

Details of Bank Guarantees:

Sr. No.	Consent (C2E/C2O/C2R)	Amt of BG Imposed	Submission Period	Purpose of BG	Compliance Period	Validity Date
1	C to 1st O PART	Rs.5.0 Lakh	Existing to be extended	Towards Compliance of consent conditions and Environmental Clearance Conditions	Continuous	31.07.2025
2	C to 1st O PART	Rs.5.0 Lakh	Existing to be extended	Towards O & M of Pollution control systems and continuous connectivity of OCEMS to Board server	Continuous	31.07.2025

****Existing BG obtained for above purpose if any, may be extended for period of validity as above.**

BG Forfeiture History

Srno.	Consent (C2E/C2O/C2R)	Amount of BG Imposed	Submission Period	Purpose of BG	Amount of BG Forfeiture	Reason of BG Forfeiture
NA						

BG Return details

Srno.	Consent (C2E/C2O/C2R)	BG Imposed	Purpose of BG	Amount of BG Returned
NA				

SCHEDULE-IV
General Conditions:

1. The Energy source for lighting purpose shall preferably be LED based
2. The PP shall harvest rainwater from roof tops of the buildings and storm water drains to recharge the ground water and utilize the same for different industrial applications within the plant
3. Conditions for D.G. Set
 - a) Noise from the D.G. Set should be controlled by providing an acoustic enclosure or by treating the room acoustically.
 - b) Industry should provide acoustic enclosure for control of noise. The acoustic enclosure/ acoustic treatment of the room should be designed for minimum 25 dB (A) insertion loss or for meeting the ambient noise standards, whichever is on higher side. A suitable exhaust muffler with insertion loss of 25 dB (A) shall also be provided. The measurement of insertion loss will be done at different points at 0.5 meters from acoustic enclosure/room and then average.
 - c) Industry should make efforts to bring down noise level due to DG set, outside industrial premises, within ambient noise requirements by proper siting and control measures.
 - d) Installation of DG Set must be strictly in compliance with recommendations of DG Set manufacturer.
 - e) A proper routine and preventive maintenance procedure for DG set should be set and followed in consultation with the DG manufacturer which would help to prevent noise levels of DG set from deteriorating with use.
 - f) D.G. Set shall be operated only in case of power failure.
 - g) The applicant should not cause any nuisance in the surrounding area due to operation of D.G. Set.
 - h) The applicant shall comply with the notification of MoEFCC, India on Environment (Protection) second Amendment Rules vide GSR 371(E) dated 17.05.2002 and its amendments regarding noise limit for generator sets run with diesel.
4. The applicant shall maintain good housekeeping.
5. The non-hazardous solid waste arising in the factory premises, sweepings, etc. be disposed of scientifically so as not to cause any nuisance / pollution. The applicant shall take necessary permissions from civic authorities for disposal of solid waste.
6. The applicant shall not change or alter the quantity, quality, the rate of discharge, temperature or the mode of the effluent/emissions or hazardous wastes or control equipments provided for without previous written permission of the Board. The Industry will not carry out any activity, for which this consent has not been granted/without prior consent of the Board.
7. The industry shall ensure that fugitive emissions from the activity are controlled so as to maintain clean and safe environment in and around the factory premises.
8. The industry shall submit quarterly statement in respect of industries obligation towards consent and pollution control compliance's duly supported with documentary evidences (format can downloaded from MPCB official site).
9. The industry shall submit official e-mail address and any change will be duly informed to the MPCB.
10. The industry shall achieve the National Ambient Air Quality standards prescribed vide Government of India, Notification No. B-29016/20/90/PCI-L dated. 18.11.2009 as amended;

11. The Board reserves its rights to review plans, specifications or other data relating to plant setup for the treatment of waterworks for the purification thereof & the system for the disposal of sewage or trade effluent or in connection with the grant of any consent conditions. The Applicant shall obtain prior consent of the Board to take steps to establish the unit or establish any treatment and disposal system or an extension or addition thereto.
12. The industry shall ensure replacement of pollution control system or its parts after expiry of its expected life as defined by manufacturer so as to ensure the compliance of standards and safety of the operation thereof.
13. The PP shall provide personal protection equipment as per norms of Factory Act
14. Industry should monitor effluent quality, stack emissions and ambient air quality monthly/quarterly.
15. Whenever due to any accident or other unforeseen act or even, such emissions occur or is apprehended to occur in excess of standards laid down, such information shall be forthwith Reported to Board, concerned Police Station, office of Directorate of Health Services, Department of Explosives, Inspectorate of Factories and Local Body. In case of failure of pollution control equipments, the production process connected to it shall be stopped.
16. The applicant shall provide an alternate electric power source sufficient to operate all pollution control facilities installed to maintain compliance with the terms and conditions of the consent. In the absence, the applicant shall stop, reduce or otherwise, control production to abide by terms and conditions of this consent.
17. The industry shall recycle/reprocess/reuse/recover Hazardous Waste as per the provision contain in the Hazardous and Other Wastes (M & TM) Rules 2016, which can be recycled /processed /reused /recovered and only waste which has to be incinerated shall go to incineration and waste which can be used for land filling and cannot be recycled/reprocessed etc. should go for that purpose, in order to reduce load on incineration and landfill site/environment.
18. An inspection book shall be opened and made available to the Board's officers during their visit to the applicant.
19. Industry shall strictly comply with the Water (P&CP) Act, 1974, Air (P&CP) Act, 1981 and Environmental Protection Act, 1986 and industry specific standard under EP Rules 1986 which are available on MPCB website (www.mpcb.gov.in).
20. Separate drainage system shall be provided for collection of trade and sewage effluents. Terminal manholes shall be provided at the end of the collection system with arrangement for measuring the flow. No effluent shall be admitted in the pipes/sewers downstream of the terminal manholes. No effluent shall find its way other than in designed and provided collection system.
21. Neither storm water nor discharge from other premises shall be allowed to mix with the effluents from the factory.
22. The industry should not cause any nuisance in surrounding area.
23. The industry shall take adequate measures for control of noise levels from its own sources within the premises so as to maintain ambient air quality standard in respect of noise to less than 75 dB (A) during day time and 70 dB (A) during night time. Day time is reckoned in between 6 a.m. and 10 p.m. and night time is reckoned between 10 p.m. and 6 a.m.
24. The industry shall create the Environmental Cell by appointing an Environmental Engineer, Chemist and Agriculture expert for looking after day to day activities related to Environment and irrigation field where treated effluent is used for irrigation.

25. The applicant shall provide ports in the chimney/(s) and facilities such as ladder, platform etc. for monitoring the air emissions and the same shall be open for inspection to/and for use of the Board's Staff. The chimney(s) vents attached to various sources of emission shall be designated by numbers such as S-1, S-2, etc. and these shall be painted/ displayed to facilitate identification.
26. The industry should comply with the Hazardous and Other Wastes (M & TM) Rules, 2016 and submit the Annual Returns as per Rule 6(5) & 20(2) of Hazardous and Other Wastes (M & TM) Rules, 2016 for the preceding year April to March in Form-IV by 30th June of every year.
27. The applicant shall install a separate meter showing the consumption of energy for operation of domestic and industrial effluent treatment plants and air pollution control system. A register showing consumption of chemicals used for treatment shall be maintained.
28. The applicant shall bring minimum 33% of the available open land under green coverage/ plantation. The applicant shall submit a yearly statement by 30th September every year on available open plot area, number of trees surviving as on 31st March of the year and number of trees planted by September end.
29. The Board reserves its rights to review plans, specifications or other data relating to plant setup for the treatment of waterworks for the purification thereof & the system for the disposal of sewage or trade effluent or in connection with the grant of any consent conditions.
30. The firm shall submit to this office, the 30th day of September every year, the Environment Statement Report for the financial year ending 31st March in the prescribed FORM-V as per the provisions of Rule 14 of the Environment (Protection) (second Amendment) Rules, 1992.
31. The Applicant shall obtain necessary prior permission for providing additional control equipment with necessary specifications and operation thereof or alteration or replacement/alteration well before its life come to an end or erection of new pollution control equipment.
32. The Board reserves its rights to vary all or any of the condition in the consent, if due to any technological improvement or otherwise such variation (including the change of any control equipment, other in whole or in part is necessary).

This certificate is digitally & electronically signed.



F.No. IA-J-11011/324/2020-IA-II(I)
Government of India
Ministry of Environment, Forest and Climate Change
Impact Assessment Division

Speed Post/Online

Indira Paryavaran Bhavan,
Vayu Wing, 3rd Floor, Aliganj,
Jor Bagh Road, New Delhi-110 003

Dated: 25th January, 2021

To,

M/s Aarti Industries Limited located,
Plot no E-59-1, MIDC Tarapur,
Maharashtra
Email: narendra.salvi@aarti-industries.com

Sub: Setting up of Active Pharmaceutical Ingredient (API's), Bulk Drugs manufacturing facility of capacity 210 TPM by M/s Aarti Industries Limited located at Plot no E-59-1, MIDC Tarapur, Maharashtra - Environmental Clearance regarding.

Sir,

This has reference to your online proposal No. IA/MH/IND2/188082/2020 dated 15th December, 2020 for environmental clearance to the above mentioned project.

2. The Ministry of Environment, Forest and Climate Change has examined the proposal for environmental clearance to the project for Setting up of Active Pharmaceutical Ingredient (API's), Bulk Drugs manufacturing facility of capacity 210 TPM by M/s Aarti Industries Limited located at Plot no E-59-1, MIDC Tarapur, Maharashtra.

3. The project/activities are covered under Category 'B2' of item 5 (f) 'Synthetic, Organic Chemicals Industry' of the schedule to the Environment Impact Assessment (EIA) Notification, 2006 (amendments on 27.03.2020). Due to applicability of general condition (located within 5 km of CPA), the project requires appraisal at central level by the sectoral Expert Appraisal Committee (EAC) in the Ministry. Public hearing is exempted since the proposed project falls under category B2 and the site is located in industrial area. It was informed that no litigation is pending against the proposal.

4. The details of products and capacity are as under:-

Existing Products

S. No.	Product*	Quantity as per Consent
1	Injection (API formulation activity with Chemical storage & Packing activity)	6000000 Nos./Month
2	Ofloxacin (Size reduction by grinding, packing & dispatch activity)	300 MT/Month

* Formulation, storage, packing & dispatch activity

Proposed Products

S. No.	Quantity in Group (TPM)	Product	Quantity (TPM)	CAS No.
1.	2	Ramipril	2	87333-19-5
2.	25	Ranolazine	25	95635-56-6
3.	2	Formoterol Fumarate Dihydrate	2	183814-30-4
4.	35	Venlafaxine Hydrochloride	35	99300-78-4
5.	2	Olopatadine Hydrochloride	2	140462-76-6
6.	10	Phenylephrine Hydrochloride	10	61-76-7
7.	2	Loteprednol Etabonate	2	82034-46-6
8.	2	Capecitabine	2	154361-50-9
9.	5	Tofacitinib	5	540737-29-9
10.	5	Cinacalcet hydrochloride	5	364782-34-3
11.	5	Montelukast Sodium	5	151767-02-1
12.	10	Apixaban	2.5	480449-71-6
		Betrixaban	2.5	936539-80-9
		Rivaroxaban	2.5	366789-02-8
		Edoxaban Tosylate, Edoxaban Tosylate mono-hydrate	2.5	480449-71-6; 1229194-11-9
13.	20	Quetiapine Fumarate	20	111974-72-2
14.	25	Aminophylline	25	317-34-0
15.	10	Umeclidinium	5	869185-19-3
		Vilanterol	5	503070-58-4
16.	20	Ifosfamide	1.5	3778-73-2
		Cyclophosphamide	1.5	6055-19-2; 50-18-0
		Mercaptopurine	1.5	50-44-2
		Abemaciclib	1.5	1231929-97-; 1231930-82-7
		Acalabrutinib	1.5	1420477-60-6
		Apalutamide	2	956104-40-8

		Ibrutinib	1.5	936563-96-1
		Nilotinib Hydrochloride anhydrous, Nilotinib Hydrochloride monohydrate	1.5	641571-10-0; 923288-90-8
		Niraparib Hydrochloride	1.5	1038915-60-4; 1038915-64-8
		Nintedanib Esylate	1.5	656247-18-6
		Palbociclib	1.5	359886-84-3
		Ribociclib	1.5	1211441-98-3 1374639-75-4
		Venetoclax	1.5	1257044-40-8
17.	15	Dapagliflozin	5	461432-26-8; 960404-48-2
		Canagliflozin Hemihydrate	5	842133-18-0
		Empagliflozin	5	864070-44-0
18.	10	Deferiprone	5	30652-11-0
		Deferasirox	5	201530-41-8
19.	5	SitagliptinHCl, Phosphate & monohydrate	5	486459-71-6
	210	--	210	--

5. PP reported that existing land area is 15,088 sq. m. Industry will develop Green belt in an area of 6816.36 sq. m (45.17%) out of total area of the project. Out of 6816.36 sq. m of green belt, 3209.82 sq. m will be developed within plot & 3606.54 sq. m will be developed on outside plot adjacent to the plot area.

6. The estimated proposed project cost is Rs.45 Crores. Total capital cost earmarked towards environmental pollution measures is Rs.5.44 Crores & the Recurring cost (operation & maintenance) will be about Rs.2.07 Crores per annum. Total employment will be 280 persons as direct & 1400 persons indirect for proposed project. Industry proposes to allocate Rs.90 Lakhs towards Corporate Environment Responsibility.

7. There are no National parks, Wildlife sanctuaries, Biosphere Reserves, Tiger/ Elephant Reserves, Wildlife Corridors etc. lies within 10 km distance. Nalla outside plot passes along east to southwest plot boundary. Banganga River is flowing at a distance of 1.8 km in North-West direction.

8. Total water requirement is 510 m³/day out of which fresh water requirement of 366 m³/day will be met from MIDC and balance 144 m³/day will be met from recycling treated effluent. Trade Effluent of 142 m³/day will be treated through ETP, RO, MEE & ATFD. Treated effluent will be fully recycled back within facility. No effluent will be discharged outside facility. Proposed project is Zero Liquid Discharge facility. Domestic sewage of 12 m³/day will be treated in STP. Treated sewage will be used for green belt maintenance

within site.

9. Power requirement for proposed project will be 5500 kVA and will be met from Maharashtra State Electricity Distribution Company Limited (MSEDCL). 1 no. of 625 kVA & 1 no. of 1250 kVA DG sets will be used as standby during power failure. Stack height (7 m each above building) will be provided as per CPCB norms to the proposed DG sets. Existing unit has 2 TPH Furnace oil fired boiler as per Consent to Establish. For proposed project, 1 no. of 14 TPH Biofuel (Biodiesel)/ Natural Gas fired boiler & 1 no. of 14 TPH Coal/ Briquette fired boiler will be installed. Existing Boiler as per CTE will not be installed on site as capacity of higher boilers are proposed. Lime treatment with Cyclone separator followed by bag filter will be installed for controlling the Particulate emissions within limit of 150 mg/Nm³. Common stack height of 40 m will be provided for proposed boilers.

10. **Details of Process emissions generation and its management:**

Details	Scrubber- 1	Scrubber- 2	Scrubber- 3	Scrubber- 4
Scrubbing Media	Caustic	Caustic	Acid	Acid
Packing Type	PP Pall Rings	PP Pall Rings	PP Pall Rings	PP Pall Rings
MOC	PP FRP	PP FRP	PP FRP	PP FRP
Shape	Cylindrical	Cylindrical	Cylindrical	Cylindrical
Diameter	500 mm	500 mm	500 mm	500 mm
Pollutant	Acid mist	Acid mist	Alkali mist	Alkali mist
Stack height	6 m	6 m	6 m	6 m
Gas Temperature	Ambient	Ambient	Ambient	Ambient
Control Equipment	Temperature Transmitter/ Pressure transmitter/ pH sensor	Temperature Transmitter/ Pressure transmitter/ pH sensor	Temperature Transmitter/ Pressure transmitter/ pH sensor	Temperature Transmitter/ Pressure transmitter/ pH sensor

11. **Details of Solid waste & Hazardous waste generation and its management:**

A. **Solid waste generation & it's disposal:**

Particulars	Total Quantity	UOM	Method of Disposal
Used Apron	1600	No/month	Sell to scrap merchant/ Authorized party
Hand gloves	3200	No/month	Sell to scrap merchant/ Authorized party

Particulars	Total Quantity	UOM	Method of Disposal
Paper/Files	150	Kg/month	Sell to scrap merchant/ Authorized party
Metal scrap	150	MT/A	Sell to scrap merchant/ Authorized party
Glass scrap	3600	Kg/A	Sell to scrap merchant/ Authorized party
Corrugated box	4500	No/A	Sell to scrap merchant/ Authorized party
Garbage	4500	Kg/A	Sell to scrap merchant/ Authorized party
Fibre drums	2200	No/Month	Sell to scrap merchant/ Authorized party
MS drums	1000	No/Month	Sell to scrap merchant/ Authorized party
Wood pallets & packing material	2500	Kg/A	Sell to scrap merchant/ Authorized party
Coal ash	90	MT/Month	Sell to Authorized party/ brick manufacturer
E waste	500	Kg/ Month	Sell to Authorized party

B. Hazardous waste generation & it's disposal:

S. No	Hazardous Waste	Category	Existing Qty.	Proposed add. Qty.	Total Qty.	UOM	Disposal
1	Used oil	5.1	41	759	800	L/month	Sale to Authorized party
2	Spent Acid	26.3	--	150	150	Tons/M	Sale to Authorized party
3	Process residue & Waste	28.1	--	35	35	Tons/M	CHWTSDF
4	Spent catalyst	28.2	--	1	1	Tons/M	send for activation
5	Spent Carbon	28.3	--	30	30	Tons/M	CHWTSDF/Sent to coprocessor industries
6	Off specification products	28.4	--	1000	1000	Kg/A	CHWTSDF
7	Date Expired Material	28.5	--	1000	1000	Kg/A	CHWTSDF

S. No	Hazardous Waste	Category	Existing Qty.	Proposed add. Qty.	Total Qty.	UOM	Disposal
8	Spent solvent	28.6	56	725	781	KL/M	Authorized reprocessor/ CHWTSDF
9	Empty barrels/ containers/ Plastic bags & fibres	33.1	500	7200	7700	Nos/M	Authorized recycler
10	Sludge from ETP	35.3	0.5	6	6.5	Tons/M	CHWTSDF
11	Oil & Grease Skimming	35.4	--	100	100	Kg/A	CHWTSDF
12	Concentration residue /MEE salts	37.3	0.5	120	120.5	Tons/M	CHWTSDF

12. The proposal was considered by the **EAC (Industry-3) in its 3rd meeting** held during **29-30 December, 2020**. The project proponent and their consultant M/s Aditya Environmental Services Pvt Ltd, made a detailed presentation through Video Conferencing (VC) and have presented the PFR/EMP report. The EAC, constituted under the provision of the EIA Notification, 2006 and comprising of Experts Members/domain experts in various fields, have examined the proposal submitted by the Project Proponent in desired form along with PFR & EMP report prepared and submitted by the Consultant accredited by the QCI/ NABET on behalf of the Project Proponent. The Committee has appreciated the quality of the presentation and technical knowledge of the consultant, and recommended to rate at excellent level.

The EAC noted that the Project Proponent has given undertaking that the data and information given in the application and enclosures are true to the best of his knowledge and belief and no information has been suppressed in the PFR & EMP report. If any part of data/information submitted is found to be false/ misleading at any stage, the project will be rejected and Environmental Clearance given, if any, will be revoked at the risk and cost of the project proponent. The Committee noted that the PFR/EMP report reflects the present environmental concerns and the projected scenario for all the environmental components. The committee deliberated the action plan and budget allocation for green belt development, mitigation measure towards Air, Water, Noise and Soil pollution. The committee found that only 20% land is available for the green belt development. As informed by the PP additional green belt development will be done in nearby area. The committee convinced that EC can be granted only if additional land will be approved by the MIDC for green belt development by PP. The Committee has also deliberated on the activities/ action plan and found to be addressing the issues in the study area. The Committee has also deliberated the activities/action plan and it's mitigation plan with respect to critically polluted area. The Committee has suggested that the storage of toxic/explosive raw material/products shall be undertaken with utmost precautions and following safety norms and best practices.

The EAC has deliberated the proposal and has made due diligence in the process as notified under the provisions of the EIA Notification, 2006, as amended from time to time

and accordingly made the recommendations to the proposal. The Experts Members of the EAC have found the proposal in order and have recommended for grant of environmental clearance.

13. The environmental clearance granted to the project/activity is strictly under the provisions of the EIA Notification 2006 and its amendments. It does not tantamount/construe to approvals/consent/ permissions etc. required to be obtained or standards/conditions to be followed under any other Acts/ Rules/ Subordinate legislations, etc., as may be applicable to the project. The project proponent shall obtain necessary permission as mandated under the Water (Prevention and Control of Pollution) Act, 1974 and the Air (Prevention and Control of Pollution) Act, 1981, as applicable from time to time, from the State Pollution Control Board, prior to construction & operation of the project.

14. Based on the proposal submitted by the project proponent and recommendations of the EAC (Industry-3), Ministry of Environment, Forest and Climate Change hereby accords environmental clearance to the project for **Setting up of Active Pharmaceutical Ingredient (API's), Bulk Drugs manufacturing facility of capacity 210 TPM by M/s Aarti Industries Limited, located at Plot no E-59-1, MIDC Tarapur, Maharashtra**, under the provisions of the EIA Notification, 2006, and the amendments therein, subject to compliance of the terms and conditions as under:-

A. Specific Condition

- (i). The SPCB shall follow the mechanism/protocol issued by the Ministry vide letter no. Q-16017/38/2018-CPA dated 24th October, 2019 and forwarded by Central Pollution Control Board vide letter dated 25th October, 2019 to the SPCB's, while issuing the CTE/CTO for the project, for improvement of environmental quality in the area.
- (ii). The company shall comply with all the environmental protection measures and safeguards proposed in the documents submitted to the Ministry. All the recommendations made in the EIA/EMP in respect of environmental management, and risk mitigation measures relating to the project shall be implemented.
- (iii). Fugitive emissions shall be controlled at 99.98% with effective chillers. Volatile organic compounds (VOCs)/Fugitive emissions shall be controlled at 99.997% with effective chillers/modern technology. Regular VOCs monitoring should be carried out.
- (iv). As already committed by the project proponent, Zero Liquid Discharge shall be ensured and no waste/treated water shall be discharged outside the premises. Treated effluent shall be reused in the process/utilities. Treated Industrial effluent shall not be used for gardening/greenbelt development/horticulture.
- (v). Occupational health centre for surveillance of the worker's health shall be set up. The health data shall be used in deploying the duties of the workers. All workers & employees shall be provided with required safety kits/mask for personal protection.
- (vi). The unit shall make the arrangement for protection of possible fire hazards during manufacturing process in material handling. Fire-fighting system shall be as per the norms.
- (vii). Training shall be imparted to all employees on safety and health aspects of chemicals handling. Safety and visual reality training shall be provided to employees.
- (viii). Total fresh water requirement shall not exceed 366 m³/day will be met from MIDC. Prior permission in this regard shall be obtained from the concerned regulatory authority.

- (ix). Storm water from the roof top shall be channelized through pipes to the storage tank constructed for harvesting of rain water in the premises and harvested water shall be used for various industrial processes in the unit. No recharge shall be permitted within the premises. Process effluent/ any wastewater shall not be allowed to mix with storm water.
- (x). Continuous online (24x7) monitoring system for stack emissions shall be installed for measurement of flue gas discharge and the pollutants concentration, and the data to be transmitted to the CPCB and SPCB server. For ZLD, the unit shall install web camera with night vision capability and flow meters in the channel/drain carrying effluent within the premises.
- (xi). Solvent management shall be carried out as follows: (a) Reactor shall be connected to chilled brine condenser system. (b) Reactor and solvent handling pump shall have mechanical seals to prevent leakages. (c) Solvents shall be stored in a separate space specified with all safety measures. (d) Proper earthing shall be provided in all the electrical equipment wherever solvent handling is done. (e) Entire plant shall be flame proof. The solvent storage tanks shall be provided with breather valve to prevent losses. (f) All the solvent storage tanks shall be connected with vent condensers with chilled brine circulation.
- (xii). Process organic residue and spent carbon, if any, shall be sent to Cement other suitable industries for its incinerations. ETP sludge, process inorganic & evaporation salt shall be disposed of to the TSDF.
- (xiii). The company shall undertake waste minimization measures as below (a) Metering and control of quantities of active ingredients to minimize waste; (b) Reuse of by-products from the process as raw materials or as raw material substitutes in other processes. (c) Use of automated filling to minimize spillage. (d) Use of Close Feed system into batch reactors. (e) Venting equipment through vapour recovery system. (f) Use of high pressure hoses for equipment clearing to reduce wastewater generation.
- (xiv). The green belt of at least 5-10 m width shall be developed in nearly 40% of the total project area, mainly along the plant periphery. Selection of plant species shall be as per the CPCB guidelines in consultation with the State Forest Department. Records of tree canopy shall be monitored through remote sensing map.
- (xv). The activities and the action plan proposed by the project proponent to address the socio-economic issues in the study area, shall be completed as per the schedule presented before the Committee and as described in the EMP report in letter and spirit. All the commitments made shall be satisfactorily implemented.
- (xvi). A separate Environmental Management Cell (having qualified person with Environmental Science/Environmental Engineering/specialization in the project area) equipped with full-fledged laboratory facilities shall be set up to carry out the Environmental Management and Monitoring functions.

B. General Condition:

- (i) No further expansion or modifications in the plant, other than mentioned in the EIA Notification, 2006 and its amendments, shall be carried out without prior approval of the Ministry of Environment, Forest and Climate Change/SEIAA, as applicable. In case of deviations or alterations in the project proposal from those submitted to this Ministry for clearance, a fresh reference shall be made to the Ministry/SEIAA, as applicable, to assess the adequacy of conditions imposed and to add additional environmental protection measures required, if any.

- (ii) The energy source for lighting purpose shall be preferably LED based, or advanced having preference in energy conservation and environment betterment.
- (iii) The overall noise levels in and around the plant area shall be kept well within the standards by providing noise control measures including acoustic hoods, silencers, enclosures etc. on all sources of noise generation. The ambient noise levels shall conform to the standards prescribed under the Environment (Protection) Act, 1986 Rules, 1989 viz. 75 dBA (day time) and 70 dBA (night time).
- (iv) The company shall undertake all relevant measures for improving the socio-economic conditions of the surrounding area. CER activities shall be undertaken by involving local villages and administration and shall be implemented. The company shall undertake eco-developmental measures including community welfare measures in the project area for the overall improvement of the environment.
- (v) The company shall earmark sufficient funds towards capital cost and recurring cost per annum to implement the conditions stipulated by the Ministry of Environment, Forest and Climate Change as well as the State Government along with the implementation schedule for all the conditions stipulated herein. The funds so earmarked for environment management/ pollution control measures shall not be diverted for any other purpose.
- (vi) A copy of the clearance letter shall be sent by the project proponent to concerned Panchayat, Zilla Parishad/Municipal Corporation, Urban local Body and the local NGO, if any, from whom suggestions/ representations, if any, were received while processing the proposal.
- (vii) The project proponent shall also submit six monthly reports on the status of compliance of the stipulated Environmental Clearance conditions including results of monitored data (both in hard copies as well as by e-mail) to the respective Regional Office of MoEF&CC, the respective Zonal Office of CPCB and SPCB. A copy of Environmental Clearance and six monthly compliance status report shall be posted on the website of the company.
- (viii) The environmental statement for each financial year ending 31st March in Form-V as is mandated shall be submitted to the concerned State Pollution Control Board as prescribed under the Environment (Protection) Rules, 1986, as amended subsequently, shall also be put on the website of the company along with the status of compliance of environmental clearance conditions and shall also be sent to the respective Regional Offices of MoEF&CC by e-mail.
- (ix) The project proponent shall inform the public that the project has been accorded environmental clearance by the Ministry and copies of the clearance letter are available with the SPCB/Committee and may also be seen at Website of the Ministry and at <https://parivesh.nic.in/>. This shall be advertised within seven days from the date of issue of the clearance letter, at least in two local newspapers that are widely circulated in the region of which one shall be in the vernacular language of the locality concerned and a copy of the same shall be forwarded to the concerned Regional Office of the Ministry.
- (x) The project authorities shall inform the Regional Office as well as the Ministry, the date of financial closure and final approval of the project by the concerned authorities and the date of start of the project.

(xi) This Environmental clearance is granted subject to final outcome of Hon'ble Supreme Court of India, Hon'ble High Court, Hon'ble NGT and any other Court of Law, if any, as may be applicable to this project.

15. The Ministry reserves the right to stipulate additional conditions, if found necessary at subsequent stages and the project proponent shall implement all the said conditions in a time bound manner. The Ministry may revoke or suspend the environmental clearance, if implementation of any of the above conditions is not found satisfactory.

16. Concealing factual data or submission of false/fabricated data and failure to comply with any of the conditions mentioned above may result in withdrawal of this clearance and attract action under the provisions of Environment (Protection) Act, 1986.

17. Any appeal against this environmental clearance shall lie with the National Green Tribunal, if preferred, within a period of 30 days as prescribed under Section 16 of the National Green Tribunal Act, 2010.

18. The above conditions will be enforced, inter-alia under the provisions of the Water (Prevention & Control of Pollution) Act, 1974, the Air (Prevention & Control of Pollution) Act, 1981, the Environment (Protection) Act, 1986, the Hazardous Waste (Management, Handling and Transboundary Movement) Rules, 2016 and the Public Liability Insurance Act, 1991 read with subsequent amendments therein.

19. This issues with the approval of the competent authority.

P
25/01/2021
(Dr. R. B. Lal)

Scientist 'E'/Additional Director
Email: rb.lal@nic.in
Tele-fax: +91-11-24695362

(डा. आर. बी. लाल)
(Dr. R. B. LAL)
वैज्ञानिक 'E'/Scientist E
पर्यावरण, वन एवं जलवायु परिवर्तन मंत्रालय
Min. of Environment, Forest and Climate Change
भारत सरकार, नई दिल्ली
Govt. of India, New Delhi

Copy to: -

1. Deputy Director General of Forests (C), Ministry of Environment, Forest and Climate Change, Regional Office (WCZ), Ground Floor, East Wing, New Secretariat Building Civil Lines, Nagpur-440001
2. Office of the Principal Chief Conservator of Forests (Head of Forests Force) M.S. Nagpur 3rd Floor Van Bhavan Ramgiri Road Civil Lines Nagpur 440 001
3. The Member Secretary, Central Pollution Control Board, Parivesh Bhawan, East Arjun Nagar, Delhi - 32
4. The Member Secretary, Maharashtra Pollution Control Board, Kalpataru Point, 3rd and 4th floor, Opp. PVR Cinema, Sion Circle, Mumbai-400 022.
5. The District Collector, Palghar, Mumbai
6. Guard File/Monitoring File/Website/Record File/Parivesh Portal

(Dr. R. B. Lal)
Scientist 'E'/Additional Director

Annexure - IX



(Revised Environment Cell Members)
Date - 01/04/2024

Revised Environment Cell/Committee

Management has decided to form a review/revised Environmental Cell / Committee with new members added in our unit , following are new and existing qualified members for "Improvement of Environment' w.e.f. 01/04/2021.

Following are the names of the Environment Cell members with Qualification.

- 1.Mr. Harigovind Prajapati (M.Sc. Environment and ADIS Diploma.)
- 2.Mr. Rahul Mane (M.Sc.Environment and ADIS Diploma.)
- 3.Mr. Nishant Shrivastav (M.Sc.and ADIS Diploma)
- 4.Mr. Kaushal Shukla (B.Sc)
- 5.Mr. Bhushan Satavi (Diploma in Mech. and ADIS Diploma)
- 6.Mr. Rohan Dharmameher (Diploma in Mech. and ADIS Diploma)

Environment Cell / Committee will meet every quarter and will assess / suggest the improvement on the environment as well as legal conditions of environment and will review the implementation.

For, Aarti Pharmalabs Limited



Authorized Signatory

ANALYSIS TEST REPORT

Report No.	SEETL240000597	Report Date	08/02/2024
Name of Client	M/s. Aarti Pharamlabs Ltd.		
Address of Client	Plot No. E-59, M.I.D.C., Tarapur, Tal & Dist. Palghar- 401506.		
Order / Reference	As per Agreement Dated- 18/06/2021		
Date Of Monitoring	02/02/2024	Time of Sampling	Day/Night
ULR No.	TC-122072400000480F		
Monitored By	SEETL Representative		
Sampling Plan	SEETL/LD/F-03	Sampling SOP No.	SEETL/LD/SOP/AA-31

DAY NIGHT TIME NOISE LEVEL MONITORING

Sr. No.	Sampling Location (From 1 meter away)	Noise Levels in dB(A) Leq* Day Time	Noise Levels in dB(A) Leq* Night Time
AMBIENT NOISE LEVEL MONITORING			
1.	Near Main Gate	70.5	68.7
2.	Near Gate No-2	71.3	68.3
3.	Near Utility Area	70.2	69.7
4.	DG Set Running	72.1	67.1
5.	Near Boiler Area	68.7	63.3

Method:-IS:9989-1981 (RA 2023)

- NOTE: 1) MPCB Limit During Day time < 75. (Day time shall mean from 6.00 am to 10.00 pm.)
 2) MPCB Limit During Night time < 70. (Night time shall mean from 10.00 pm to 6.00 am.)
 3) A "decibel" is a unit in which noise is measured.
 4) "A", in dB (A) Leq, denotes the frequency weighting in the measurement of noise and corresponds to frequency response characteristics of the human hear.
 5) Leq: It is the energy mean of the noise level over a specified period.
 6) This certificate may not be reproduced without the permission of this Laboratory.

***** END OF THE REPORT*****



Trupti Mayekar
 Authorized Signatory
 Trupti Mayekar

Sadekar Enviro Engineers Private Limited

Plot No. A-95, Road No. 16, Kisan Nagar Road, M.I.D.C. Wagle Industrial Area, Thane - 400 604, Maharashtra State, India
☎ (01-22) 2583 3321 / 2583 3322 / 2583 3323 / 2583 3194 • E-mail: prs@sadekarenviro.com / psadekar5@gmail.com

ISO 9001:2015
ISO 14001:2015

ANALYSIS TEST REPORT

Report No.	SEETL240000596	Report Date	08/02/2024
Name of Client	M/s. Aarti Pharamlabs Ltd.		
Address of Client	Plot No. E-59, M.I.D.C, Tarapur, Tal & Dist. Palghar- 401506.		
Order / Reference	As per Agreement Dated- 18/06/2021		
Date Of Monitoring	02/02/2024	Time of Sampling	Day/Night
ULR No.	-		
Monitored By	SEETL Representative		
Sampling Plan	SEETL/LD/F-03	Sampling SOP No.	SEETL/LD/SOP/AA-31

DAY NIGHT TIME NOISE LEVEL MONITORING

Sampling Location (From 1 meter away)	Noise Levels in dB(A) Leq* Day Time	Noise Levels in dB(A) Leq* Night Time
--	--	--

WORKPLACE NOISE LEVEL MONITORING

1. Block No 5 Reaction Area 1st Floor	66.7	60.4
2. Block No 5 Reaction Area 2nd Floor	63.5	59.7
3. Block No 5 Reaction Area 3rd Floor	62.6	60.1
4. Block No 5 Reaction Area Grd floor	60.3	55.3

Method:-IS:9989-1981 (RA 2023)

- NOTE: 1) *As per Factory Act Rules, 1963 scheduled XXIV Noise Limit 90dB(A) *dB(A) Leq denotes the time Weighted average of the level of sound in decibels on scale A which is relatable to human hearing.
2) A "decibel" is a unit in which noise is measured.
3) "A", in dB (A) Leq, denotes the frequency weighting in the measurement of noise and corresponds to frequency response characteristics of the human hear.
4) Leq: It is the energy mean of the noise level over a specified period.
5) This certificate may not be reproduced without the permission of this Laboratory.

***** END OF THE REPORT*****



(Signature)
Authorized Signatory
Nilesh Naik

Date: -08/04/2022

To,
Collector & District Magistrate,
Dist. Palghar

Subject - Approval for Corporate Environment Responsibility (CER) activities expenditure mentioned in Environment Clearance EC for Aarti Industries Limited, located at Tal:Tarapur, Dist Palghar (Unit-III, Unit-IV Plot No E-50 & E 59-1 & SPACK Division)

Respected Sir,

We, Aarti Industries Limited, have received the EC for proposed expansion by addition of new products for manufacturing of Active Pharmaceutical Ingredients & intermediates at existing units at Unit -III (Plot No K-17,18,19), Unit-IV (Plot No E 50 & E 59-1) & SPACK Division (Plot No. D-18) (Please refer Annex-1).

As per EC condition & OM issued by MoEF&CC dated 01.05.2018 (Please refer Annex-2), we have to allocate & utilize the CER (Corporate Environmental Responsibility) activity along with the timeline. The Budget allocated for CER activity as per EC condition is as follows,

1. Unit -III	: Rs. 30 Lacs.
2. Unit -IV (E 50)	: Rs. 25 Lacs
3. Unit -IV (E 59-1)	: Rs 90 Lacs
4. SPACK Division	: Rs 30 Lacs
Total	: Rs 175 Lacs

Subsequently, We have spent the budget in the following activities for CER compliance.

Contribution to Maharashtra State Disaster Management - 205 Lacs [dated 25.03.2021] - (Please refer Annex-3)

So, considering the above expenditure, kindly give your approval to comply with the EC condition regarding CER activity & provide us the compliance certificate. In the event, if you require any further information or clarification in this regard, kindly let us know.

Waiting for your reply.

Thanking you,

Yours Faithfully
for Aarti Industries Limited

Authorized Signatory

Encl-

Annex-1: Environment Clearance Copy of Unit-III, Unit- IV (E-50 & E 59-1) & SPACK Division

Annex-2: OM issued by MoEF&CC dated 01.05.2018

Annex-3: Maharashtra State Disaster Management Receipt



Ganga Printing Ink Building | Ganga House,
Laxmi Marg, Opp. Cipla Ltd., Vikhroli (W), Mumbai - 400082
Maharashtra, India
IFSC: KXAX0001429

Valid for three months from date of issue
Date: 16/11/2023
O D M M Y Y Y Y

Superintendent of Police Palghar

या बँकेला साठी - Or - Boisar

Rupees Three Lacs Only

₹ 3,00,000/-

5512167616

ROKAX COMPOSITE SAVINGS ACCOUNT
CSR

For Aarti Foundation

VOID

Authorized signatory

Available At-par at all branch locations of Kotak Mahindra Bank Ltd.

⑈002320⑈ 400485⑆00⑆ 0⑆6⑆77⑈ 3⑆



Date 17th November 2023

To
The Police Station Incharge,
MIDC, Tarapur,
Boisar,

Dear Sir,

This has reference to your letter, 513/2023 dated 21.07.2023, we are pleased to inform you that, On behalf of a group of AARTI PHARMALABS LIMITED, TARAPUR sending a cheque of Rs. 3.00 Lacs (Rs.Three lacs) through CSR fund cheque no. 002320 dated 16.11.2023 towards " POLICE WELFARE FUND " PALGHAR.

Kindly acknowledge the receipt of the same.

For AARTI PHARMALAB LTD

For AARTI PHARMALAB LTD

SR. GENERAL MANAGER - WORKS

DGM- HR & ADMIN

पोलीस तर्फे जलसहाय्य
बोईसर पाल्घर तालुका

AARTI PHARMALABS LIMITED

www.aartipharmalabs.com | CIN : U24100GJ2019PLC110964 | Email : info@aartipharmalabs.com

Factory : Unit - IV, Plot No. E - 50, 50/1, 59/1, M.J.D.C., Tarapur, Taluka & District - Palghar, PIN 401 506, Maharashtra, INDIA, T : +91 89830 35432 / +91 252 568 2100
Admin Office : 204, Udyog Kalyan, 2nd Floor, Mulund - Goregaon Link Road, Mulund (W), Mumbai, PIN - 400 080, Maharashtra, INDIA, T : +91 22 67976666 | F : +91 22 25653254
Regd. Office : Plot No. 22-C/1 & 22-C/2, 1st Phase, G.I.D.C., Vapi 396 195, District - Valsad, Gujarat, INDIA T : +91 260 2400467, +91 96096 94855

To,
The Director ,
Ministry of environment & forests and climate change ,
Regional office,(WCZ),
Ground Floor,East Wing,
New Secretarial Building ,
Civil Lines,Nagpur -440001

Date: 17.11.2023

Subject : Regarding the Half-Yearly compliance report for the period of April 2023 to Sept 2023

Reference : Environmental clearance letter no.IA/MH/IND2/188082/2020 Dated 15TH December 2020 granted by EAC ,Govt.Of Maharashtra


Dear Sir,

With reference the above mentioned subject ,We are enclosing herewith the compliance report for the period of April 2023 to Sept. 2023 with respect to the above mentioned Reference of environment Clearance for proposed expansion of industrial project at plot E-59/1 MIDC Tarapur ,Dist -Palghar. SEAC-I considered the project under screening category B2 of item 5(f) synthetic IC , EIA Notification 2006

The compliance report is support with required documents .

Thanking You

For Aarti Pharmalabs Ltd


Authorized signatory

 28/11/23
SUB REGIONAL OFFICE
M. P. C. BOARD
M.I.B.C. COLONY COMPOUND
TARAPUR 401 504.
TAL. & DIST- PALGHAR

CC:

1. The regional officer,
Central pollution control Board ,
Parivesh Bhawan ,Atmajyoti Ashram Rd,
Opp.VMC Ward Office No.10,Shubhanpura ,
Vadodara,Gujarat 390023.
2. The Sub Regional office.
Maharashtra pollution control Board ,
Tarapur ,MIDC.
3. The Regional office.
Maharashtra pollution control Board ,
Thane.

जाहीर नोटीस

सर्व संबंधितांना माहिती देण्यात येते की,
“आरती इंडस्ट्रीज लिमिटेडद्वारा भूखंड क्र.
इ-५९/१, एमआयडीसी तारापूर, तालुका
पालघर, जिल्हा पालघर महाराष्ट्र येथे
सक्रिय औषध निर्माण घटक (एपोआय),
ब्लकड्रुग्स निर्मिती सुविधेच्या” प्रस्तावित
प्रकल्पास पर्यावरण, वन मंत्रालय व
पर्यावरण बदल यांनी पत्र संख्या-
IA-J-11011/ 324/ 2020-IA-II(I)
दिनांक २५ जानेवारी २०२१ द्वारे मंजुरी
दिली आहे.

सदर पर्यावरणीय संमतिपत्राची प्रत महाराष्ट्र
प्रदूषण नियंत्रण मंडळाकडे तसेच
वन मंत्रालयाच्या <https://parivesh.nic.in>
वेबसाइटवर उपलब्ध आहे.

दिनांक : २९ जानेवारी २०२१

सही/-

अधिकृत सहीधारक

आरती इंडस्ट्रीज

मुंबई

लोकसत्ता - २०/०९/२०२१